

## Guinevere® Thermostatic Mixing Valve with One-Way Volume Control Trim

### FEATURES

- Temperature control trim with anti-scald safety stop at 108°F
- Lever handles
- For use with the SMA thermostatic mixing valve (TSTA or TSTAR)

### COLORS/FINISHES

- #CP Polished Chrome
- #RB Oil Rubbed Bronze

### CODES/STANDARDS

- Meets or exceeds ASME A112.18.1/CSA B125.1, ASSE 1016
- Certifications: IAPMO(cUPC), State of Massachusetts and others
- Code Compliance: UPC, IPC, NSPC, NPC Canada, and others
- ADA compliant



### PRODUCT SPECIFICATION

Thermostatic mixing valve shall include mixing handle and separate volume control trim. Product shall have lever handles. Product shall have a temperature control trim with anti-scald safety stop at 108°F. Product shall be TOTO Model TS970C1# \_\_\_\_ and required valve shall be TSTA/TSTAR.

# TS970C1

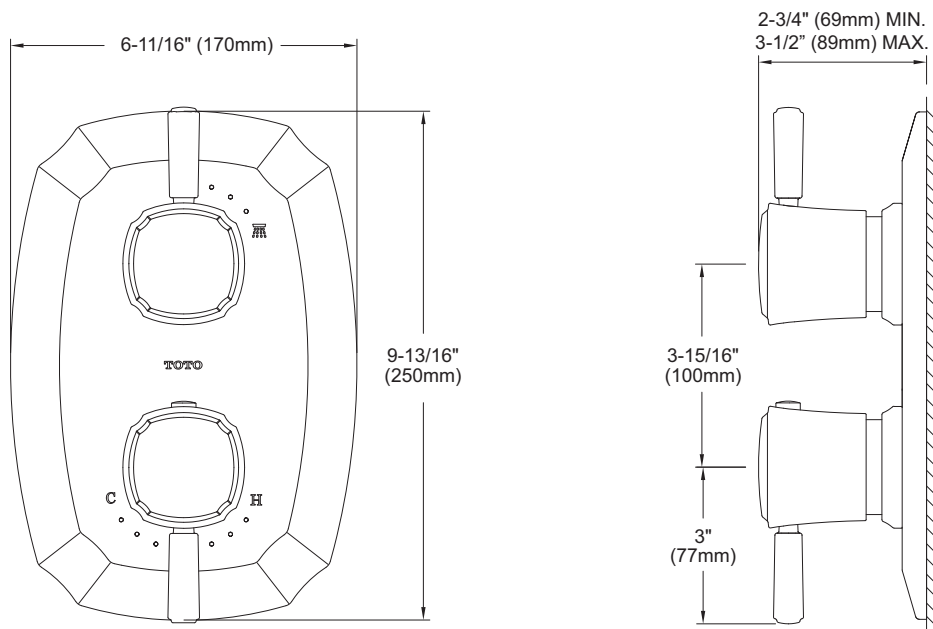
## Guinevere® Thermostatic Mixing Valve with One-Way Volume Control Trim

### SPECIFICATIONS

- Warranty Lifetime Limited Warranty (Residential Use)  
One Year (Oil Rubbed Bronze)  
One Year (Commercial Use)
- Material Brass
- Shipping Weight 6.0 lbs.
- Shipping Dimensions 11-3/4" L x 10-3/4" W x 3-1/2" H

### INSTALLATION NOTES

**VALVE REQUIRED:**  
SMA thermostatic mixing valve, model TSTA or TSTAR sold separately.



**TOTO®**

*These dimensions and specifications are subject to change without notice*