

Lloyd® Pressure Balance Valve Trim without Diverter

FEATURES

- For use with the TSPT/TSPTR pressure balancing valve
- Lever handle

COLORS/FINISHES

- #CP Polished Chrome
- #BN Brushed Nickel
- #PN Polished Nickel

CODES/STANDARDS

- Meets or exceeds ASME A112.18.1/CSA B125.1, ASSE 1016
- Certifications: IAPMO(cUPC), State of Massachusetts, City of Los Angeles, and others
- Code Compliance: UPC, IPC, NSPC, NPC Canada, and others
- ADA compliant
- Complies with CA Prop 65 warning requirements



PRODUCT SPECIFICATION

Pressure balance valve trim shall be without diverter. Trim shall include front seal plate assembly. Pressure balance trim shall be TOTO Model TS930P____ and required valving shall be TSPT/TSPTR.

TS930P

Lloyd® Pressure Balance Valve Trim without Diverter

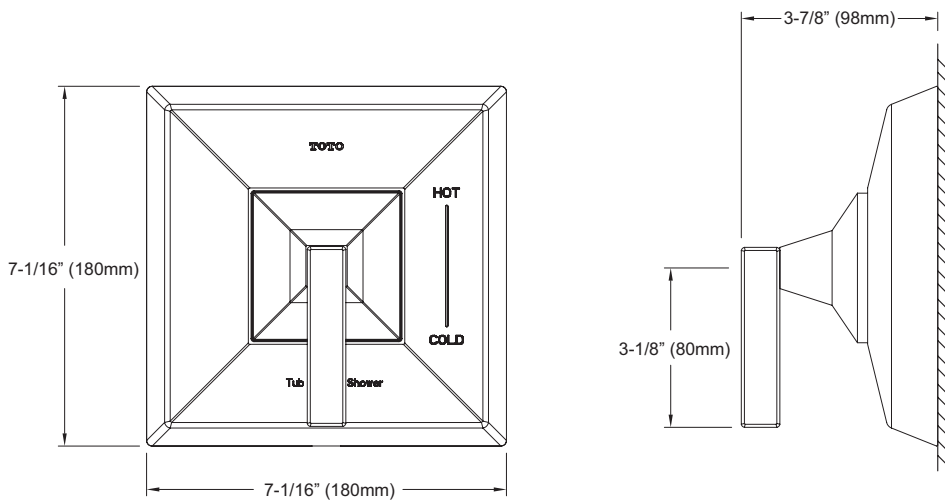
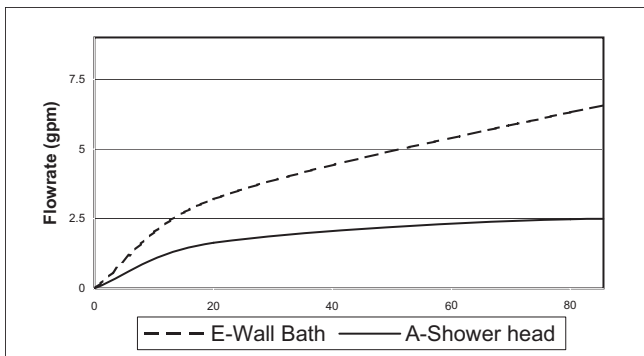
SPECIFICATIONS

- Warranty: Lifetime Limited Warranty (Residential Use)
One Year (Commercial Use)
- Material: Brass
- Shipping Weight: 6.8 lbs.
- Shipping Dimensions: 13-3/4" L x 9"W x 4"H

INSTALLATION NOTES

VALVE REQUIRED:

Pressure balancing valve, model TSPT or TSPTR sold separately.



These dimensions and specifications are subject to change without notice