

## Nexus® Thermostatic Mixing Valve Trim with Dual Volume Control

### FEATURES

- For use with the TSTD/TSTDR SMA thermostatic mixing valve

### COLORS/FINISHES

- #CP Polished Chrome
- #BN Brushed Nickel
- #PN Polished Nickel

### CODES/STANDARDS

- Meets and exceeds ASME A112.18.1/CSA B125.1, ASSE 1016
- Certifications: IAPMO(cUPC), State of Massachusetts, City of Los Angeles, and others
- Code Compliance: UPC, IPC, NSPC, NPC Canada, and others
- Complies with CA Prop 65 warning requirements



### PRODUCT SPECIFICATION

Thermostatic mixing valve trim shall include mixing valve and separate dual volume control. Trim shall include front seal plate assembly. Shower trim shall be TOTO Model TS794D\_\_\_\_ and required valve shall be TSTD/TSTDR.

# TS794D

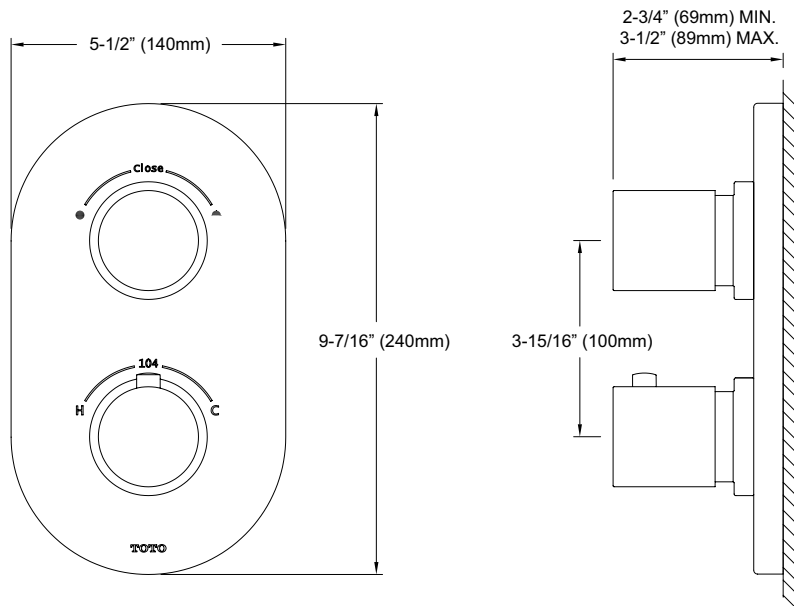
## Nexus® Thermostatic Mixing Valve Trim with Dual Volume Control

### SPECIFICATIONS

- Warranty Lifetime Limited Warranty (Residential Use)  
One Year (Commercial Use)
- Material Brass
- Shipping Weight 5.5 lbs.
- Shipping Dimensions 10-3/4" L x 10-3/4" W x 3-1/2" H

### INSTALLATION NOTES

**VALVE REQUIRED:**  
SMA thermostatic mixing valve, model TSTD or TSTD  
sold separately.



**TOTO®**

*These dimensions and specifications are subject to change without notice*