

FEATURES

- Maximum flow rate of 2.5 gpm (9.5 lpm)
- 10" diameter spray face
- Single spray showerhead
- Rubber nozzles to prevent limescale build up
- Includes shower arm and escutcheon
- 1/2" NPT connection

COLORS/FINISHES

- #CP Polished Chrome
- #BN Brushed Nickel
- #PN Polished Nickel



CODES/STANDARDS

- Meets or exceeds ASME A112.18.1/CSA B125.1
- Certifications: IAPMO(cUPC), State of Massachusetts and others
- Code Compliance: UPC, IPC, NSPC, NPC Canada, and others
- Complies with CA Prop 65 warning requirements



PRODUCT SPECIFICATION

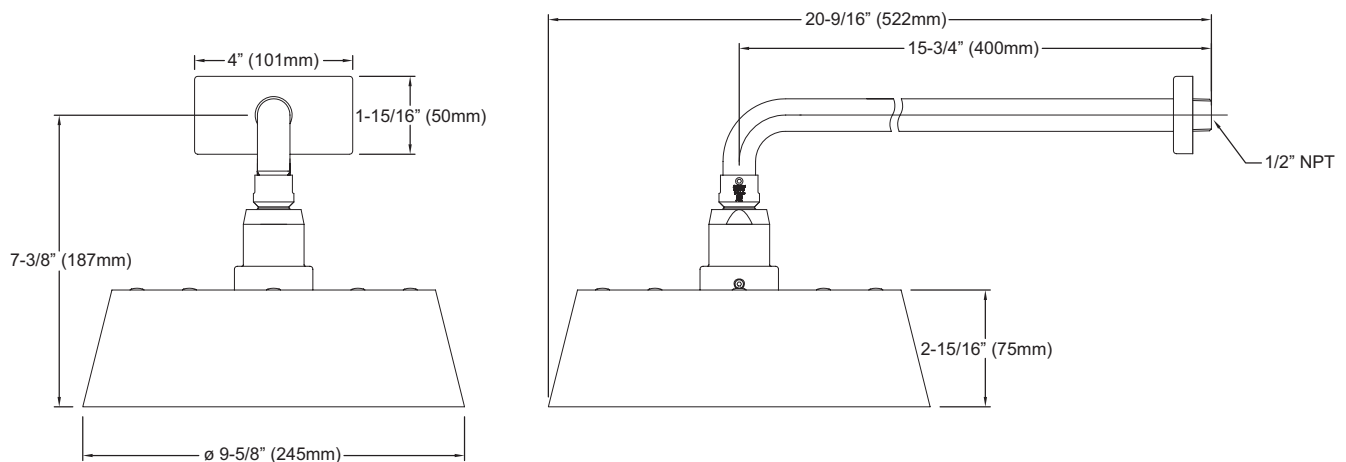
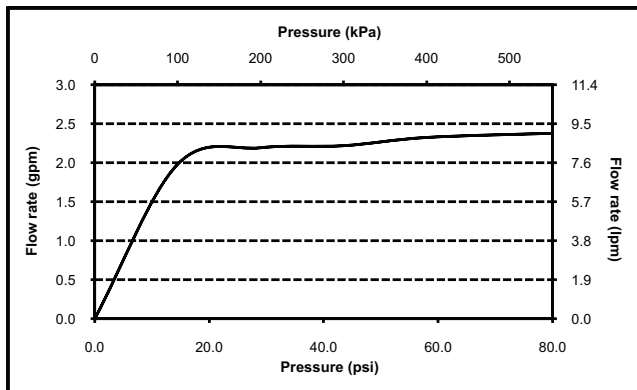
The showerhead shall have a maximum flow rate of 2.5 gpm (9.5 lpm). Product shall have a 10" diameter spray face. Product shall have a single spray. Product shall have rubber nozzles to prevent limescale build up. Product shall include shower arm and escutcheon. Product shall be TOTO Model TS626A#_____.

TS626A

Aimes® Showerhead

SPECIFICATIONS

- Warranty Lifetime Limited Warranty (Residential Use)
One Year (Commercial Use)
- Material Brass and plastic
- Shipping Weight 9.5 lbs.
- Shipping Dimensions 26-1/2" L x 5-3/4" W x 14-3/4" H
- Maximum Flow Rate 2.5 gpm (9.5 lpm)



TOTO®

These dimensions and specifications are subject to change without notice