

Oberon™-S Single-Handle Faucet

FEATURES

- 0.5 gpm (1.9 lpm) commercial faucet
- Streamlined design with quality low-lead full-brass chrome polished body
- Single-lever handle with hot and cold color indicators
- Durable ceramic disc mixing cartridge
- Drain not included

COLORS/FINISHES

- #CP Polished Chrome

OPTIONAL ACCESSORIES

- THP3158#CP - 4" Cover Plate
- THP3159#CP - 8" Cover Plate
- THP5067#CP - Grid Drain

CODES/STANDARDS

- Complies with federal and state lead-free legislation
- Meets or exceeds ASME A112.18.1/CSA B125.1, NSF 61-9, NSF 372
- Certifications: IAPMO(cUPC), EPA WaterSense, California Energy Commission (CEC), State of Massachusetts and others
- Code Compliance: UPC, IPC, NSPC, NPC Canada, California Green Building Code, City of Los Angeles Water Efficiency Ordinance, City of New York and others
- ADA compliant



PRODUCT SPECIFICATION

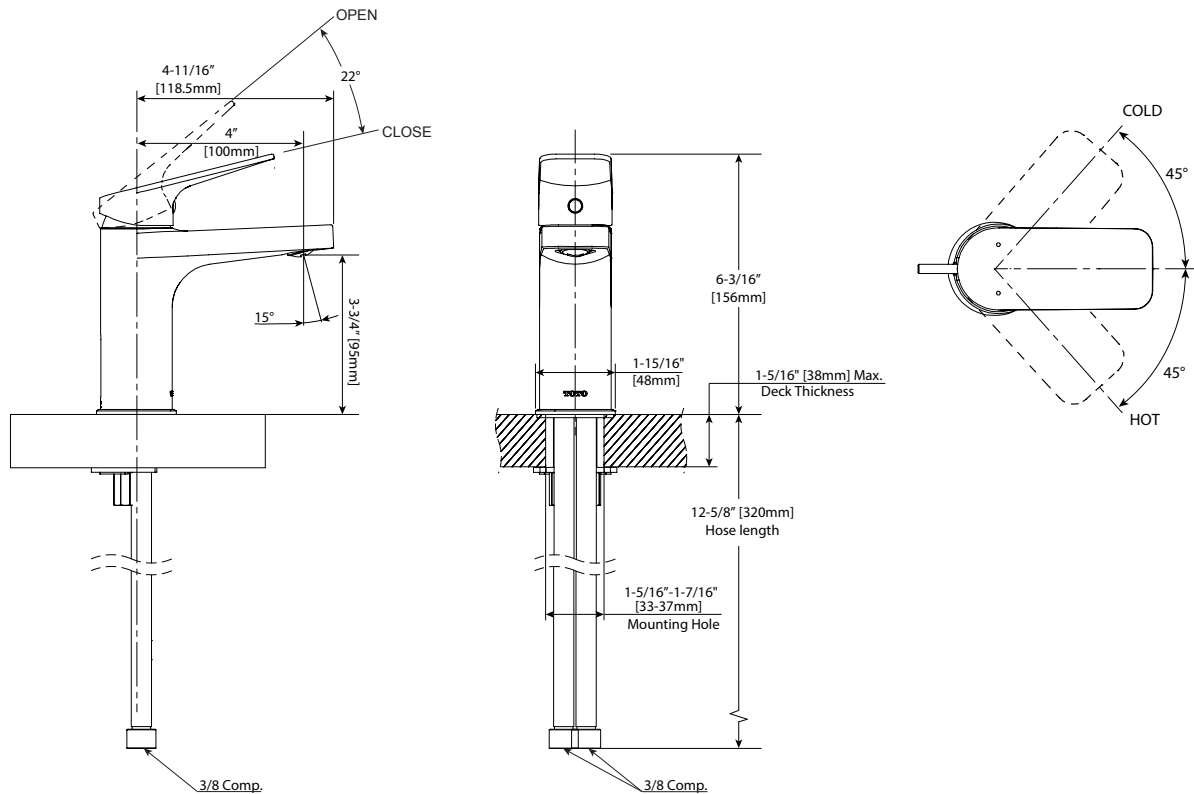
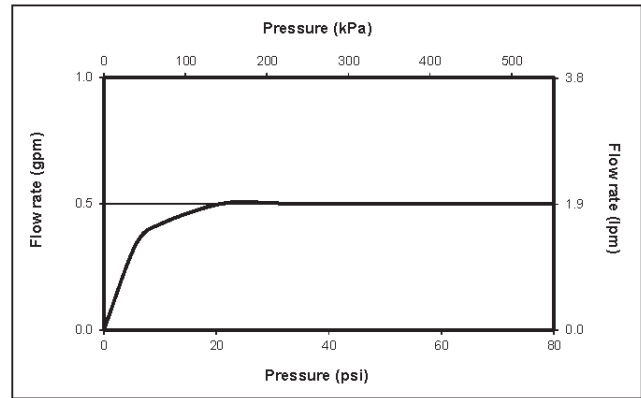
The single-handle lavatory faucet shall have a maximum flow rate of 0.5 gpm (1.9 lpm). Product shall have lever handle. Product shall have a low-lead brass construction. Product shall have a ceramic disc mixing cartridge. Product shall be TOTO Model TL363SDA05#CP.

TL363SDA05

Oberon™ -S Single-Handle Faucet

SPECIFICATIONS

- Warranty: Lifetime Limited Warranty (Residential Use)
One Year (Commercial Use)
- Material: Brass (low-lead)
- Maximum Flow Rate: 0.5 gpm (1.9 lpm)
- Shipping Dimensions: 21" L x 10" W x 3-1/2" H
- Shipping Weight: 6.5 lbs



TOTO®

These dimensions and specifications are subject to change without notice