

## ECOPOWER® Toilet Flush Valve, 1.6 GPF

### FEATURES

- 1.6 GPF
- Self-powered hydroelectric flush valve system
- No minimum daily usage requirement
- Durable chrome plated body with tamper-proof screws and solid bronze valve body
- Self-cleaning piston valve with 360° filter screen
- Neutral rough-in and adjustable tail piece connection
- True mechanical flush override
- Smart sensor with self-adjusting detection range
- 6-second detection time to prevent ghost flushing
- For toilet with 1-1/2" top spud inlet using 24" vacuum breaker tube
- Exposed flush valve with 1" angle stop and 1-1/2" vacuum breaker set
- ADA compliant

### MODELS

- TET6GA32#CP
  - TET6GAR#CP (1.6 GPF flush valve)
  - VBXX32#CP (1-1/2" vacuum breaker tube, 1" angle stop)
  - THP3291#CP (24-1/2" Long 1-1/2" Chrome plated vacuum breaker tube)

### COLORS/FINISHES

- #CP Polished Chrome

### OPTIONAL ACCESSORIES

- Z-4000-J - Adapter for ground joint angle stops

### CODES/STANDARDS

- Meets or exceeds ASSE 1037, CSA B125.3
- Certifications: IAPMO(cUPC), ASSE, State of Massachusetts, and others
- Code Compliance: UPC, IPC, NSPC, NPC Canada, and others
- ADA compliant
- Complies with CA Prop 65 warning requirements



Piston Valve

### PRODUCT SPECIFICATION

TOTO® Model No. \_\_\_\_\_  
Product shall be 1.6 GPF. Product shall be an automatic infrared sensor-activated, toilet flush valve designed to pair with 24" vacuum breakers. Product shall use hydropower, ECOPOWER flush valve system. Product shall have durable chrome plated body with tamper-proof screws and solid bronze valve body. Product shall have smart sensor with self-adjusting detection range. Product shall have neutral rough-in and adjustable tail piece connection. Product shall have smart sensor with self-adjusting detection range. Product shall have true mechanical flush override. Product shall have 6-second detection time to prevent ghost flushing. Product shall have piston with debris screen and solenoid with self-cleaning mechanism. Product shall be ADA compliant.

# TET6GA

## ECOPOWER® Toilet Flush Valve, 1.6 GPF

### SPECIFICATIONS

- Material: Bronze casting
- Power supply: ECOPOWER
- Sensor detection time: Factory setting at six (6) seconds minimum
- Sensor detection range: Self-adjusting to environment
- Discharge quantity: Preset to 1.6 GPF/ 6.0 LPF
- Operating temperature: 32°-104°F (0°-40°C)
- Water supply pressure: 15 psi - 125 psi\*
- Water supply connection: 1" NPT
- Warranty: Three year limited

\*Water pressures over 80 psi are not recommended for most plumbing fixtures. Check your local plumbing code for details.

### INSTALLATION NOTES

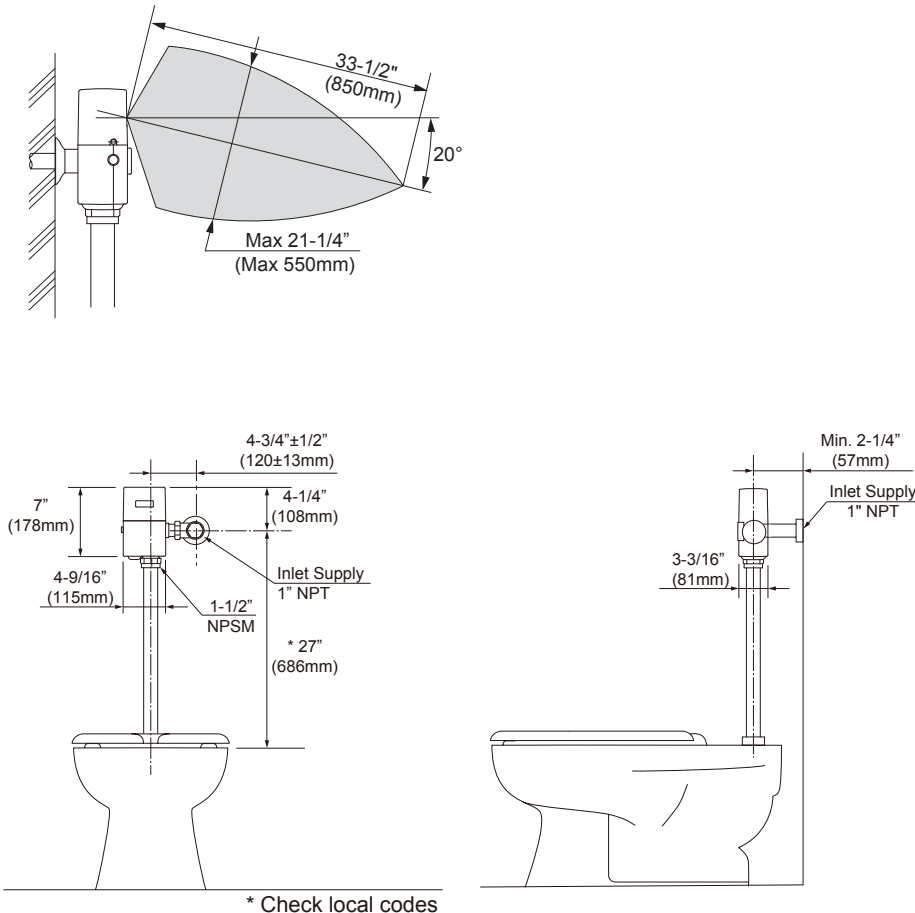
For commercial applications only.  
Warning: Failure to properly adjust angle stop to the appropriate level can potentially cause property damage.

For detailed installation instructions, please refer to the installation manual.

Max flow rate to be used with TET6GA\_\_\_\_\_: 1.6 GPF

Confirm with local codes and standards for floor drain requirement. Adjust control stop for proper flow rate to the fixture.

### DIAGRAM



**TOTO®**

*These dimensions and specifications are subject to change without notice*