

## Legato® Deck-Mount Tub Filler Trim with Handshower

### FEATURES

- Lever handles
- Includes handshower
- Includes 60" metal shower hose
- For use with the Deck-Mount Tub Filler with Handshower Valve (TB2F)

### COLORS/FINISHES

- #CP Polished Chrome
- #BN Brushed Nickel
- #PN Polished Nickel



### CODES/STANDARDS

- Meets or exceeds ASME A112.18.1/CSA B125.1
- Certifications: IAPMO(cUPC), State of Massachusetts, and others
- Code Compliance: UPC, IPC, NSPC, NPC Canada, and others
- Complies with CA Prop 65 warning requirements



### PRODUCT SPECIFICATION

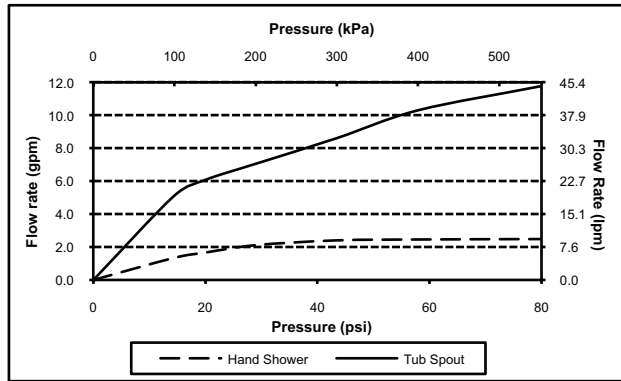
The Deck-mount tub filler trim shall have lever handles. Product shall include handshower. The handshower shall have a maximum flow rate of 2.5 gpm (9.5 lpm). Product shall include 60" metal shower hose. Product requires TB2F valve, sold separately. Product shall be TOTO Model TB624S1# \_\_\_\_.

# TB624S1

## Legato® Deck-Mount Tub Filler Trim with Handshower

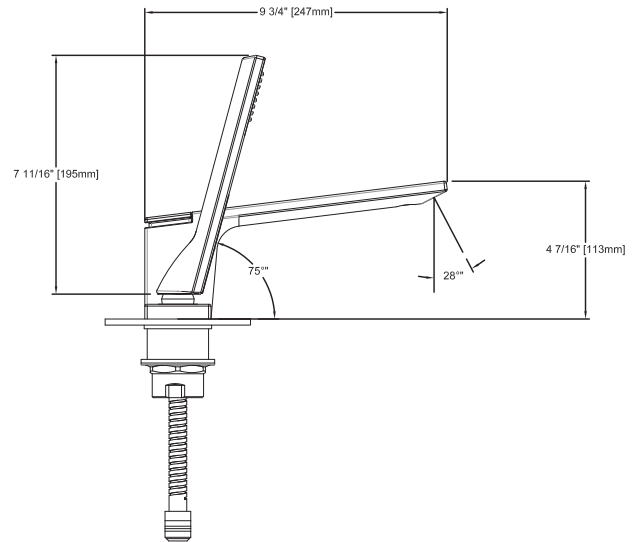
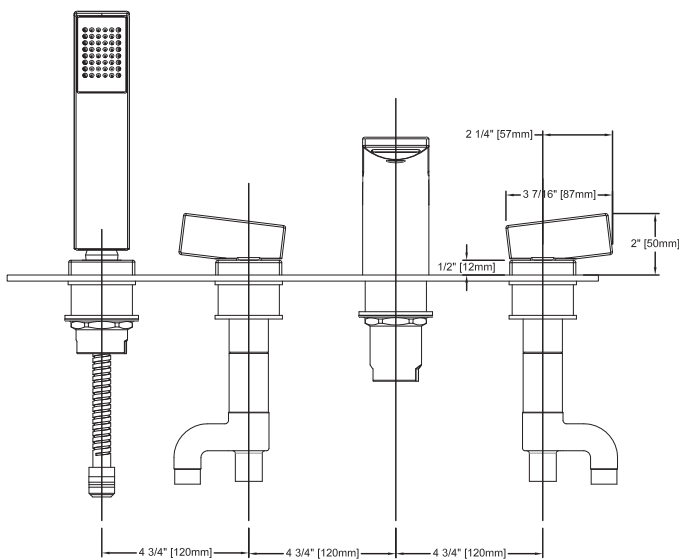
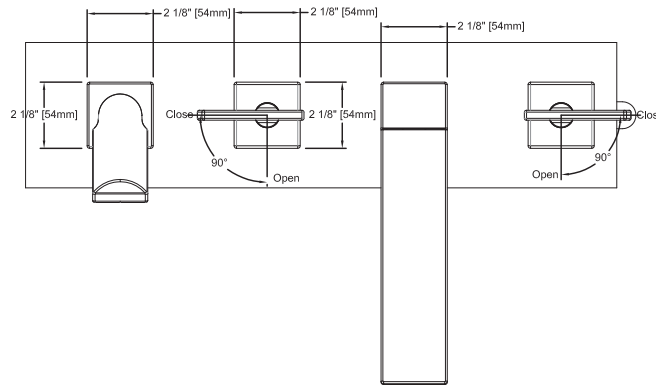
### SPECIFICATIONS

- Warranty: Lifetime Limited Warranty (Residential Use)  
One Year (Commercial Use)
- Shipping Weight: 9.4 lbs.
- Shipping Dimensions: 25-1/2" L x 14-1/4" W x 3-3/4" H



### INSTALLATION NOTES

**VALVE REQUIRED:**  
Deck-Mount Tub Filler with Handshower valve model TB2F sold separately. Integrated diverter to deliver water to either spout or handshower.



**TOTO®**

*These dimensions and specifications are subject to change without notice*