

Commercial Flushometer Floor-Mounted Toilet – 1.0/1.28 GPF

FEATURES

- Floor-mounted
- Elongated front bowl
- Optional CEFIONTECT® glaze prevents debris from sticking to ceramic surfaces, making them easier to clean
- Clear glazed trapway coating
- 10"-12" rough-in
- Designed for reclaimed water use

MODELS

- CT705UNGX
Commercial, floor-mounted toilet with CEFIONTECT ceramic glaze
- CT705UNX
Commercial floor-mounted toilet

ADDITIONAL ITEMS

- SC534 seat
- SC134 seat

EcoPower® Flush Valves	
Exposed	
TET1UAX32#CP	1.0 GPF
TET1LAX32#CP	1.28 GPF



COLORS/FINISHES

- Standard
#01 Cotton

PRODUCT SPECIFICATION

The floor-mounted, low consumption siphon jet flushing toilet shall be 1.0 or 1.28 GPF (3.8 or 4.8 LPF) when paired with a flush valve of corresponding flush volume. Toilet shall have optional CEFIONTECT ceramic glaze. Toilet shall be TOTO Model CT705UN(G)X_____.

CODES/STANDARDS

- Meets and exceeds ASME A112.19.2/CSA B45.1
- Certifications: IAPMO(cUPC), State of Massachusetts, City of Los Angeles, and others
- Code compliance: UPC, IPC, NSPC, NPC Canada, and others



CT705UN(G)X

Commercial Flushometer Floor-Mounted Toilet – 1.0/1.28 GPF

SPECIFICATIONS

Water Use	1.0/1.28 GPF (3.8/4.8 LPF)
Flush System	Siphon Jet Flushing Action
Water Surface	10-3/4" x 9-1/4"
Water Pressure	Min: 35 psi (Flowing) Max: 80 psi (Static)
Min. Flow Rate	24 GPM
Trap Diameter	1-7/8"
Trap Seal	2-3/8"
Rough-in	12" or 10"
Material	Vitreous China
Warranty	One Year Limited Warranty
Shipping Weight	50 lbs
Shipping Dimensions	26-1/2"L x 9-1/2" W1 x 16-1/4"W2 x 17"H

INSTALLATION NOTES

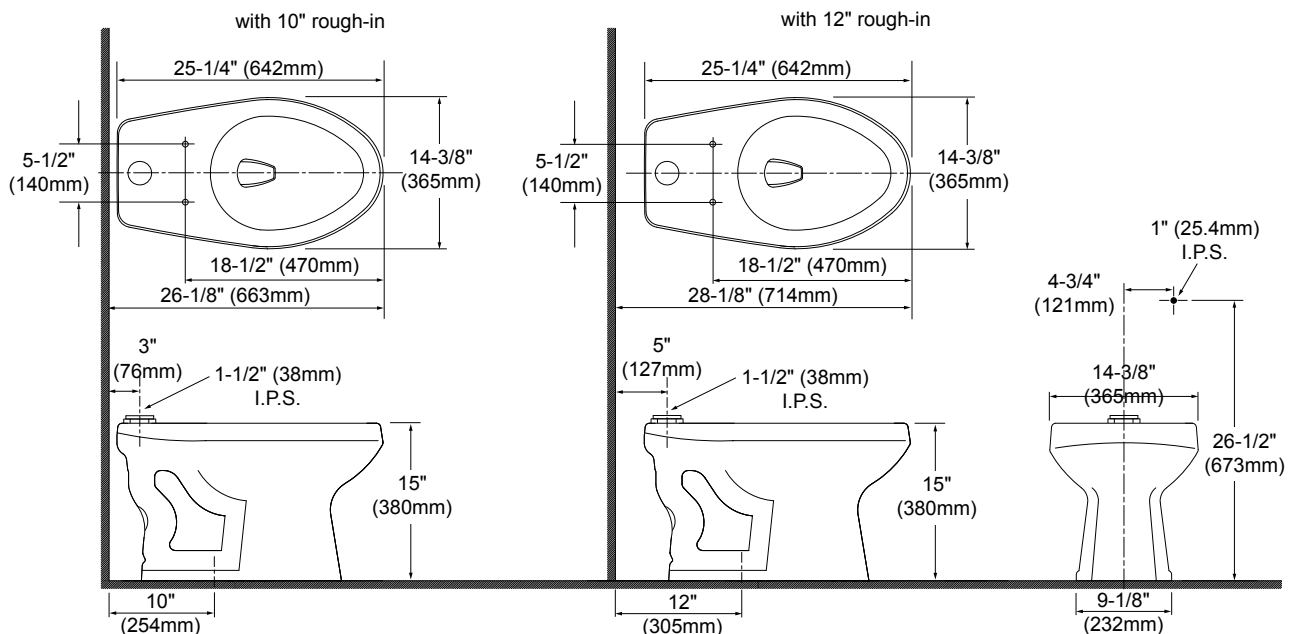
RECLAIMED WATER QUALITY PARAMETERS	
Chloride Ion Concentration	< 600mg/L
pH	5.8~8.6
Free Carbonate	< 50mg/L
Langelier's Index	> -3.00
Nitrate Ion Concentration	< 60mg/L
Conductivity	< 250mS/m
Sulfate Ion Concentration	< 100mg/L
Residual Chlorine Concentration	< 2mg/L
Hydrogen Sulfide Gas	None Existence
Suspended Solids	< 5mg/L

Spuds are unique for TOTO product. For replacement spuds, contact TOTO for part number THU073RX.

Can be used with exposed or concealed top inlet flush valves.

TOTO Reclaimed Water flush valves are designed to perform best when used with TOTO Reclaimed Water urinals/toilets and components. Although TOTO Reclaimed Water products may be used in combination with other reclaimed water product brands, optimal performance might be impaired and attempted use with any non-compliant reclaimed water product(s) could result in corrosion, leakage or void the warranty.

DIMENSIONS



These dimensions and specifications are subject to change without notice