

## Self-Rimming Lavatory

### FEATURES

- 20" x 17"
- Vitreous china
- ADA compliant
- Concealed front overflow
- Complete with installation template and sealing compound

### MODELS

- LT501  
Lavatory only with single hole faucet center
- LT501.4  
Lavatory only with 4" faucet centers
- LT501.8  
Lavatory only with 8" faucet centers



### COLORS/FINISHES

- Standard  
#01 Cotton

### CODES/STANDARDS

- Meets and exceeds ASME A112.19.2/CSA B45.1
- Certifications: IAPMO(cUPC), State of Massachusetts, City of Los Angeles, and others
- ADA compliant
- Code compliance: UPC, IPC, NSPC, NPC Canada, and others



### PRODUCT SPECIFICATION

The self-rimming lavatory shall be made of vitreous china. Lavatory shall be 20" x 17". Product shall be with front overflow and lavatory shall include mounting assembly and be ADA compliant. Lavatory shall be TOTO Model LT501\_\_\_\_\_.

# LT501

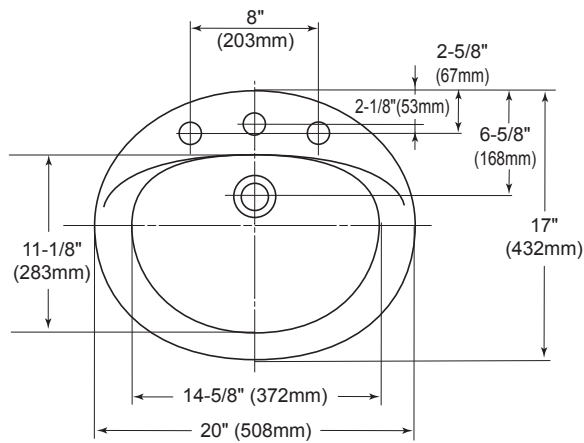
## Self-Rimming Lavatory

### SPECIFICATIONS

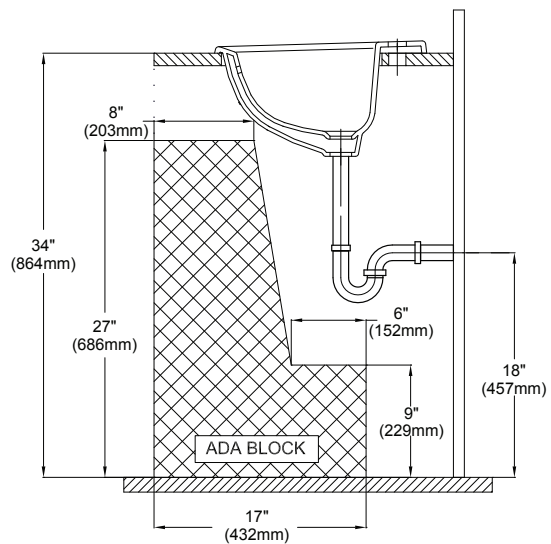
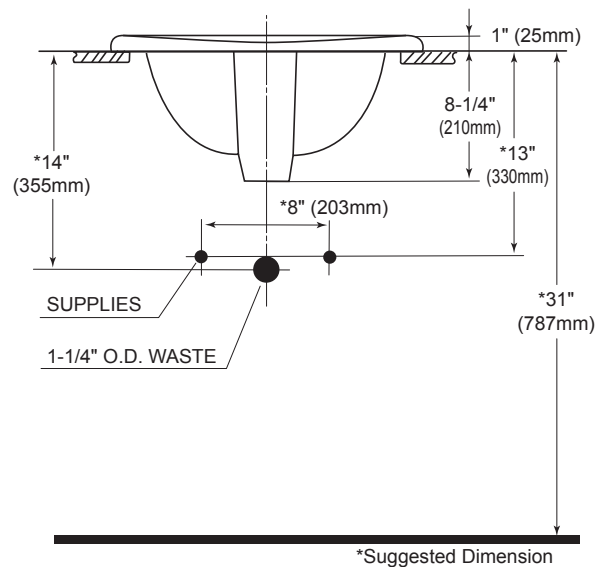
- Waste 1-1/4" O.D.
- Size 20"W x 17"D
- Basin 15-1/4"W x 11-1/8"D
- Warranty One Year Limited Warranty
- Material Vitreous china
- Shipping Weight 20 lbs.
- Shipping Dimensions 21-5/8" L x 19-1/8" W x 10-3/8" H

center faucet hole: 1-1/4" / 31mm

4" and 8" faucet hole: 1-3/8" / 35mm



### ADA Compliance Check



**TOTO**

*These dimensions and specifications are subject to change without notice*