

Vernica® Design II Self-Rimming Lavatory

FEATURES

- 20" x 18"
- Rear overflow
- Fired clay
- ADA compliant
- Complete with installation template

MODELS

- LT155#01
Lavatory with single hole faucet center
- LT155.8#01
Lavatory with 8" faucet centers



COLORS/FINISHES

- #01 Cotton

CODES/STANDARDS

- Meets and exceeds ASME A112.19.9M and CSA B45 series
- Certifications: IAPMO(cUPC), State of Massachusetts, City of Los Angeles, and others
- ADA compliant
- Code compliance: UPC, IPC, NSPC, NPC Canada, and others



PRODUCT SPECIFICATION

The self-rimming lavatory shall be made of fireclay. Lavatory shall be 20" in length and 18" in width. Product shall be either a single hole or 8" centers. Product shall be with overflow and lavatory shall include mounting assembly and be ADA compliant. Lavatory shall be TOTO Model LT155____#01.

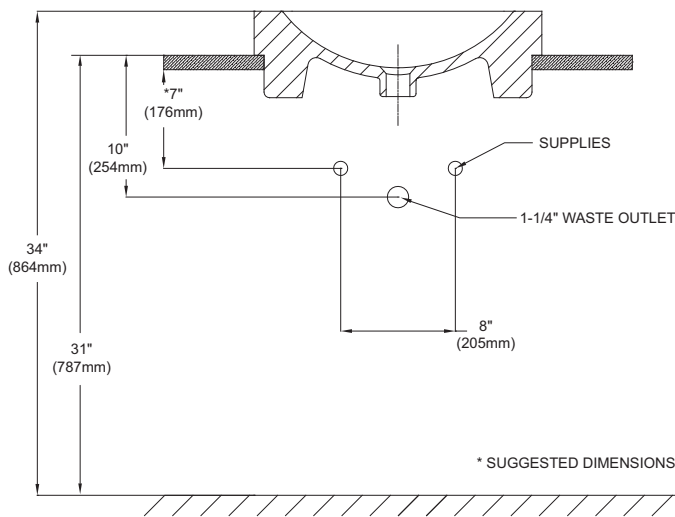
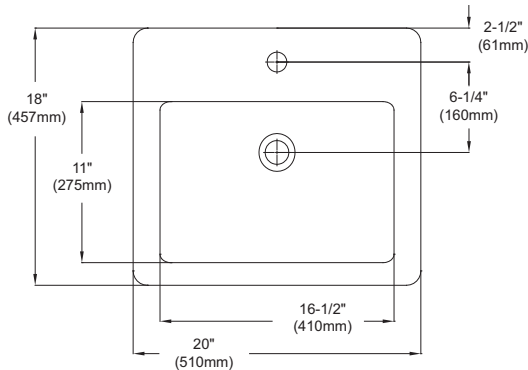
LT155

Vernica® Design II Self-Rimming Lavatory

SPECIFICATIONS

- Waste 1-1/4" O.D.
- Size 20"W x 18"D
- Basin 16-1/2"W x 11"D
- Warranty One Year Limited Warranty
- Material Fired clay
- Shipping Weight 32.5 lbs.
- Shipping Dimensions 28-9/16"W x 20-1/4"D x 9-1/16"H

INSTALLATION NOTES



ADA Compliance Check

