

### FEATURES

---

- For use with the TS6P push button valve
- Push button technology

### COLORS/FINISHES

---

- #CP Polished Chrome
- #BN Brushed Nickel
- #PN Polished Nickel

### CODES/STANDARDS

---

- Meets or exceeds ASME A112.18.1/CSA B125.1
- Certifications: IAPMO(cUP C), State of Massachusetts, City of Los Angeles, and others
- Code Compliance: UPC, IPC, NSPC, NPC Canada, and others
- ADA compliant



### PRODUCT SPECIFICATION

---

On/Off push trim shall include front seal plate assembly. Shower trim control shall operate with simple push button operation. Trim shall be TOTO Model TS960C3\_\_\_\_. and required valve shall be TS6P.

# TS960C3

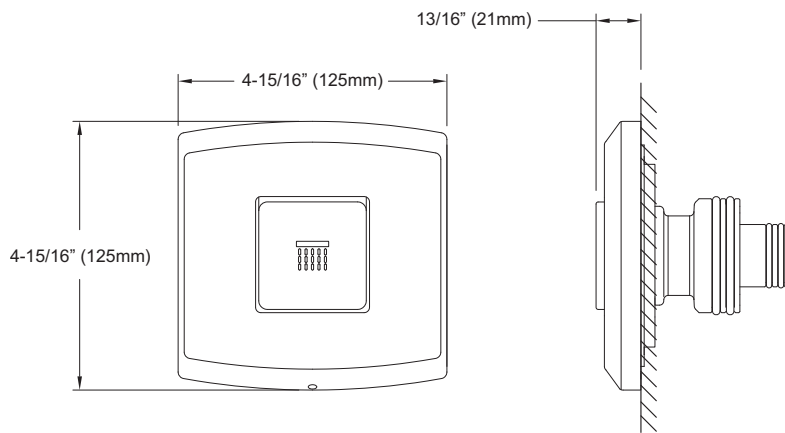
## Soirée® Push Button Valve Trim

### SPECIFICATIONS

- Warranty Lifetime Limited Warranty (Residential Use)  
One Year (Commercial Use)
- Material Brass
- Shipping Weight 3.2 lbs.
- Shipping Dimensions 7" L x 6-1/4" W x 5" H

### INSTALLATION NOTES

VALVE REQUIRED:  
Push button valve, model TS6P sold separately.



**TOTO**®

*These dimensions and specifications are subject to change without notice*