

Drake® 1G® WASHLET®+ C2 Two-Piece Toilet - 1.0 and 0.8 GPF

FEATURES

- Concealed supply connection for seamless installation
- DYNAMAX TORNADO FLUSH® utilizes 360° cleaning power to reach every part of the bowl
- High-efficiency dual flush 1.0 & 0.8 GPF (3.8 & 3.0 LPF)
- CEFIONTECT® ceramic glaze prevents debris and mold from sticking to ceramic surfaces
- Design of the bowl reduces water flow resistance resulting in a quieter flushing sound
- 12" Rough-in
- Chrome plated trip lever
- Elongated front bowl and WASHLET+ C2 and tank set
- EWATER+® auto-cleans wand
- On-demand remote function cleans wand with EWATER+
- PREMIST® of bowl before each use
- Convenient arm control panel
- Semi-concealed trapway

MODELS & COMPONENTS

- MW7463074CUMG (#01)
With CEFIONTECT ceramic glaze, WASHLET+ C2
 - CT746CUGT40
Elongated bowl with CEFIONTECT
 - ST746UMA
Tank and cover only
 - SW3074T40#01
WASHLET+ C2
- **Optional Components**
- THU773(#01, #PN, #BN)-A
Trip Lever - Cotton, Polished Nickel, Brushed Nickel

COLORS/FINISHES

- #01 Cotton



1G One Gallon Per Flush

DYNAMAX TORNADO FLUSH

CEFIONTECT

EWATER+

PRODUCT SPECIFICATION

The two-piece high-efficiency DYNAMAX TORNADO FLUSH toilet shall be dual flush 1.0 GPF/0.8 GPF. Toilet shall be 12" rough-in. Toilet shall have CEFIONTECT ceramic glaze. Toilet shall have elongated front bowl and Polished Chrome trip lever. Toilet shall be TOTO Model MW7463074CUMG_____.

See SW3074T40#01 Specification Sheet for details on included WASHLET.

CODES/STANDARDS

- Meets and exceeds ASME A112.19.2/CSA B45.1, ASME A112.19.14
- Certifications: IAPMO(cUPC®), EPA WaterSense, State of Massachusetts, and others
- Code Compliance: UPC, IPC, NSPC, NPC Canada, and others
- Legislative Compliance: California Green Building Code, City of Los Angeles Water Efficiency Ordinance, and others
- Complies with CA Prop 65 warning requirements



MW7463074CUMG

Drake® 1G® WASHLET®+ C2 Two-Piece Toilet - 1.0 and 0.8 GPF

SPECIFICATIONS

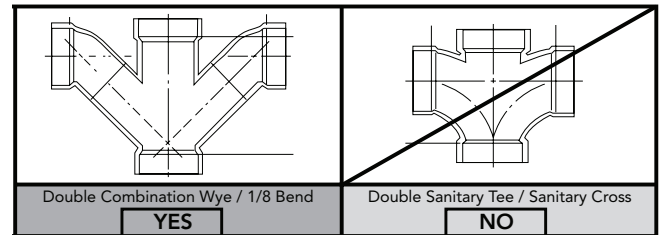
Water Use	1.0 & 0.8 GPF (3.8 & 3.0 LPF)
Flush System	DYNAMAX TORNADO FLUSH®
Min. Water Pressure	8 psi (Flowing)
Water Surface	5-5/8" x 4-1/8"
Trap Diameter	2-1/2"
Rough-in	12"
Trap Seal	2-1/8"
Warranty	One Year Limited Warranty
Material	Vitreous China
Shipping Weight	CT746CUGT40 66 lbs. ST746UMA 35 lbs.
Shipping Dimensions	CT746CUGT40 18-3/4" L x 10-1/2" W x 18-1/8" H ST746UMA 18-3/4" L x 8-3/8" W x 16" H

See SW3074T40#01 Specification Sheet for details on included WASHLET.

INSTALLATION NOTES

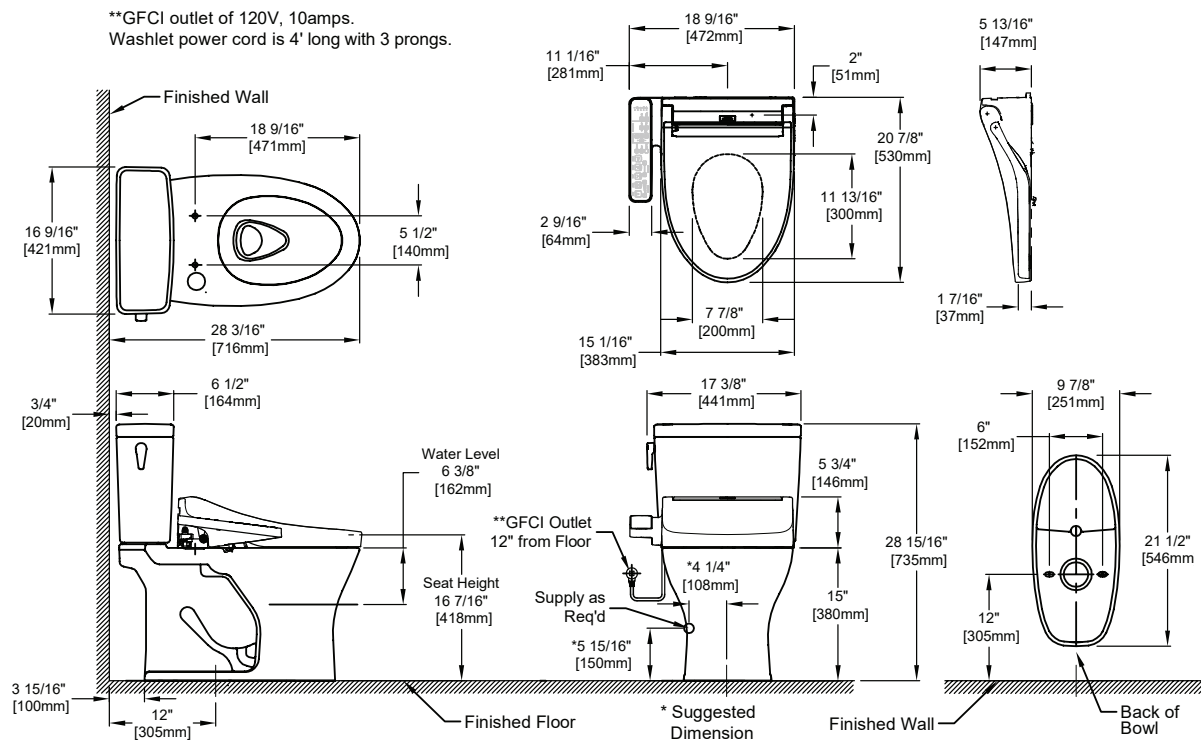
Back-to-Back Toilet Installations:

TOTO recommends the use of a nationally listed, double sanitary tee-wye only, in vertical waste stacks, in accordance with the stipulations noted in the majority of nationally recognized plumbing codes.



To maintain adequate wall gap between the back of the tank and wall, mount the floor flange at a nominal 12" rough-in distance.

DIMENSIONS



TOTO®

These dimensions and specifications are subject to change without notice