

Aquia® IV WASHLET®+ S550e Close Coupled Toilet - 1.28 & 0.8 GPF

FEATURES

- Concealed supply connection for seamless installation
- DYNAMAX TORNADO FLUSH® utilizes 360° cleaning power to reach every part of the bowl
- Ultra high-efficiency dual flush 1.28 & 0.8 GPF (4.8 & 3.0 LPF)
- CEFIONTECT® ceramic glaze prevents debris and mold from sticking to ceramic surfaces
- Design of the bowl reduces water flow resistance resulting in a quieter flushing sound
- Completely skirted design for a sleek and understated look that's easier to clean
- Universal height
- 12" Rough-in
- Chrome push-button
- Elongated front bowl and WASHLET+ S550e and tank set
- EWATER+® auto-cleans wand and bowl
- On-demand remote function cleans wand with EWATER+
- PREMIST of bowl before each use
- Remote control operated
- Auto Flush available as upgrade
- Auto Open / Close lid
- Night light

MODELS & COMPONENTS

- **MW4463056CEMFGA (#01)**
With CEFIONTECT ceramic glaze, WASHLET+ S550e with contemporary design and Auto Flush
 - **CT446CUFGT40**
Elongated bowl with CEFIONTECT
 - **ST446EMA**
Tank and cover only
 - **SW3056AT40**
WASHLET+ S550e - Auto Flush compatible
 - **9AU321-A**
WASHLET adapter
 - **THU765**
Auto Flush Kit
- **MW4463056CEMFG#01**
Same as MW4463056CEMFGA without Auto Flush
 - **CT446CUFGT40**
Elongated bowl with CEFIONTECT
 - **ST446EMA**
Tank and cover only
 - **SW3056AT40**
WASHLET+ S550e - Non Auto Flush compatible
 - **9AU321-A**
WASHLET adapter

Optional Components

- **TSU08W.10**
10" Unifit Rough-In
- **TSU08W.14**
14" Unifit Rough-In
- **THU735#01-A**
Push Button Assembly - Cotton
- **THU735#PN-A**
Push Button Assembly - Polished Nickel
- **THU735#BN-A**
Push Button Assembly - Brushed Nickel



 **DYNAMAX TORNADO FLUSH**  **EWATER+**

 **CEFIONTECT**  **Auto Flush**

 **Universal Height**

COLORS/FINISHES

- #01 Cotton

PRODUCT SPECIFICATION

The two-piece, ultra high-efficiency, DYNAMAX TORNADO FLUSH toilet shall be dual flush 1.28 GPF/0.8 GPF. Toilet shall be coated with CEFIONTECT, elongated front bowl, high profile tank, universal height, complete skirted bowl and chrome push-button. Toilet shall be TOTO Model MW4463056CEMFG__#01.

See SW3056AT40 Specification Sheet for details on included WASHLET.

CODES/STANDARDS

- Meets and exceeds ASME A112.19.2/CSA B45.1, ASME A112.19.14
- Certifications: IAPMO(cUPC®), EPA WaterSense, State of Massachusetts, and others
- Code Compliance: UPC, IPC, NSPC, NPC Canada, and others
- Legislative Compliance: California Green Building Code, City of Los Angeles Water Efficiency Ordinance, and others
- ADA compliant (MW4463056CEMFGA only)
- Complies with CA Prop 65 warning requirements



MW4463056CEMFG(A)

Aquia® IV WASHLET®+ S550e Close Coupled Toilet - 1.28 & 0.8 GPF

SPECIFICATIONS

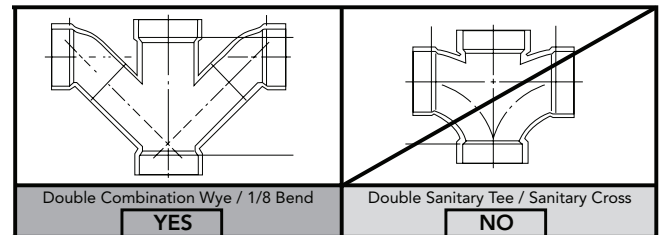
Water Use	1.28 & 0.8 GPF (4.8 & 3.0 LPF)
Flush System	DYNAMAX TORNADO FLUSH®
Min. Water Pressure	8 psi (Flowing)
Water Surface	5-5/8" x 4-1/8"
Trap Diameter	2-1/2"
Rough-in	12" (10" & 14" Optional)
Trap Seal	2-1/8"
Warranty	One Year Limited Warranty
Material	Vitreous China
Shipping Weight	CT446CUFGT40 85 lbs ST446EMA 29 lbs
Shipping Dimensions	CT446CUFGT40 30-3/4" L x 17-3/8" W x 20-1/2" H ST446EMA 17-1/4" L x 7-7/8" W x 17-1/2" H

See SW3056AT40 Specification Sheet for details on included WASHLET.

INSTALLATION NOTES

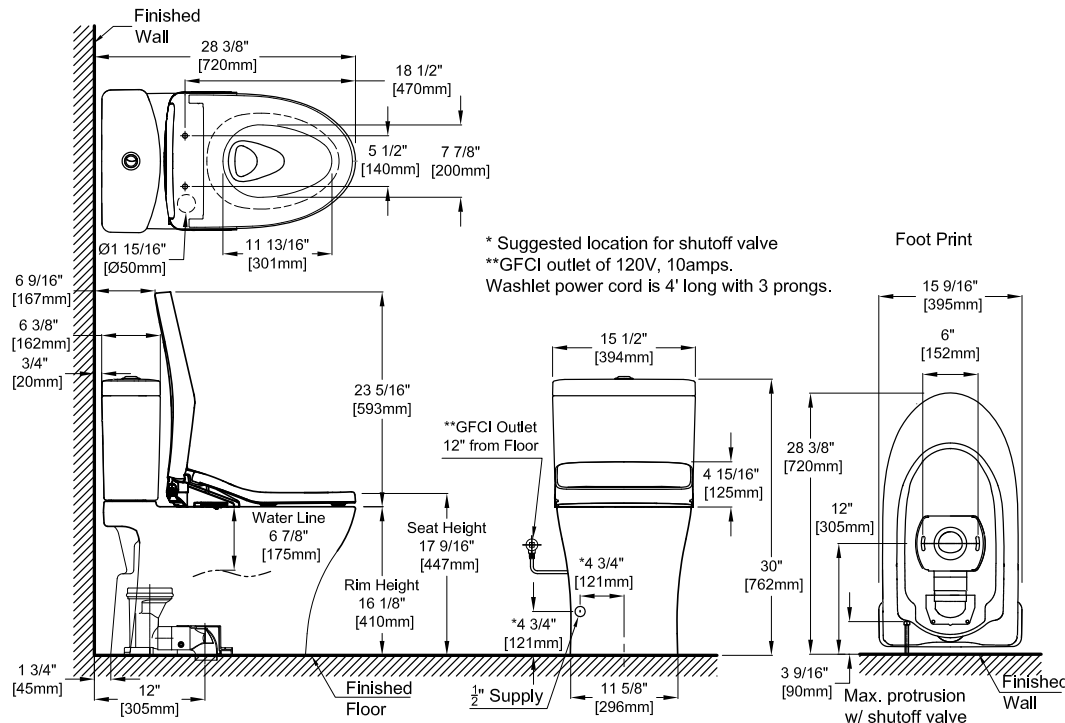
Back-to-Back Toilet Installations:

TOTO recommends the use of a nationally listed, double sanitary tee-wye only, in vertical waste stacks, in accordance with the stipulations noted in the majority of nationally recognized plumbing codes.



To maintain adequate wall gap between the back of the tank and wall, mount the floor flange at a nominal 12" rough-in distance.

DIMENSIONS



TOTO®

These dimensions and specifications are subject to change without notice