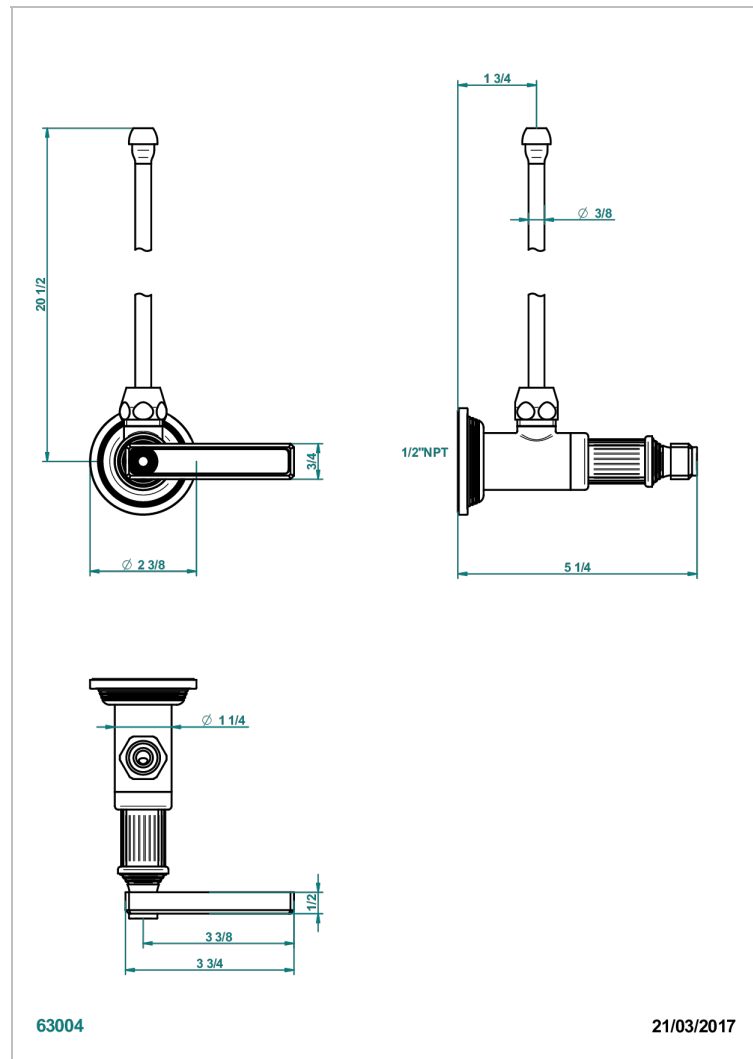


GRAND CENTRAL WITH METAL LEVER HANDLES

U9L-181/SLA

Angle supply valve with 3/8" adaptor set

THG[®]
PARIS



63004

21/03/2017

CHARACTERISTIC

- Grand central with metal lever handles
- Angle supply valve with 3/8" adaptor set

AVAILABLE FINITIONS

Blush PVD - H62
Brass color PVD - H49
Brown bronze color PVD - F33
Chrome polished - A02
Copper antique matt, coated - H07
Gold color PVD - H52

Gold mat - F07
Gold polished - F01
Graphite PVD - H64
Light coated bronze - D01
Matt Umber PVD - H67
Matt blush PVD - H60

Matt brass color PVD - H50
Matt brown bronze color PVD - F34
Matt chrome (American satin) - C02
Matt gold color PVD - H53
Matt graphite PVD - H65
Matt nickel (American satin) - C01

Matt nickel color PVD - H56
Nickel antique / Sovereign - H28
Nickel color PVD - H55
Nickel polished - B01
Polished chrome with gold inlay - GA1
Silver polished, antique - H03

Soft gold - F30
Soft matt gold - F31
Umber PVD - H66