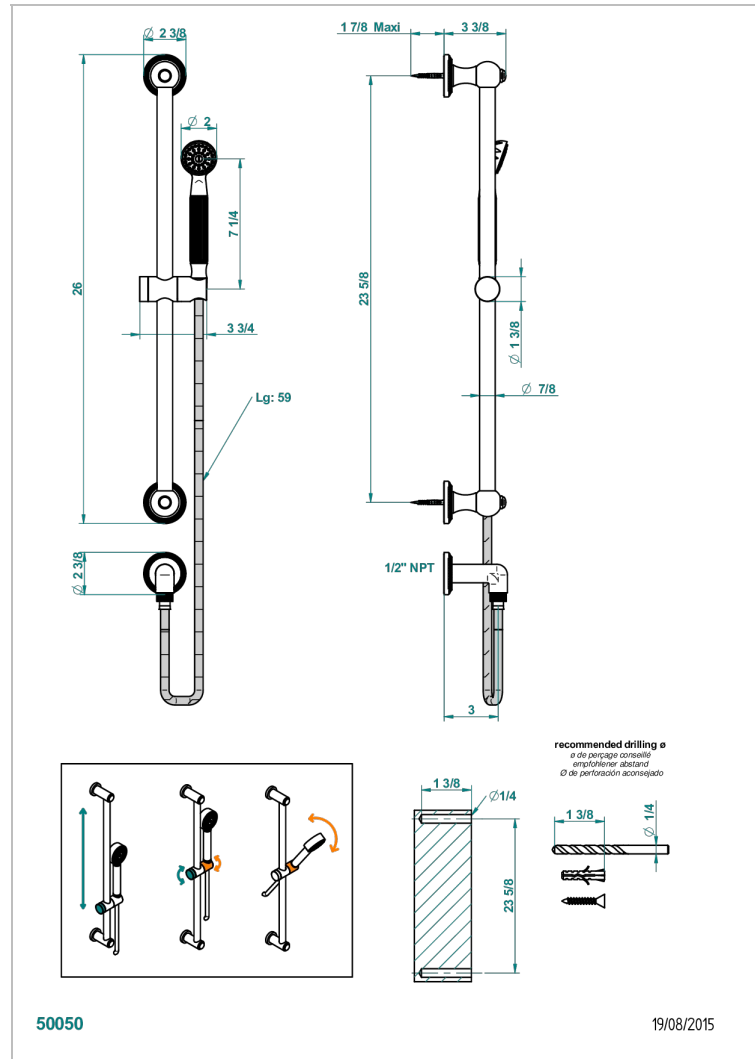


# MALMAISON CRYSTAL

U94-58/US

Slide bar with handsower and elbow



## CHARACTERISTIC

- Malmaison crystal
- Slide bar with handsower and elbow

## TECHNICAL SPECS

- Recommandé : 3 bars (max. 5 bars) - Advised : 43,5 psi (max. 72 psi)
- 9,5 l/min à 3 bars (2.5 gpm at 43.5 psi)

## AVAILABLE FINITIONS

Chrome polished - A02  
 Chrome polished / gold polished - G02  
 Copper antique matt, coated - H07  
 Gold mat - F07  
 Gold polished - F01  
 Light coated bronze - D01

Matt chrome (American satin) - C02  
 Matt nickel (American satin) - C01  
 Nickel antique / Sovereign - H28  
 Nickel polished - B01  
 Silver polished, antique - H03  
 Soft gold - F30

Soft matt gold - F31