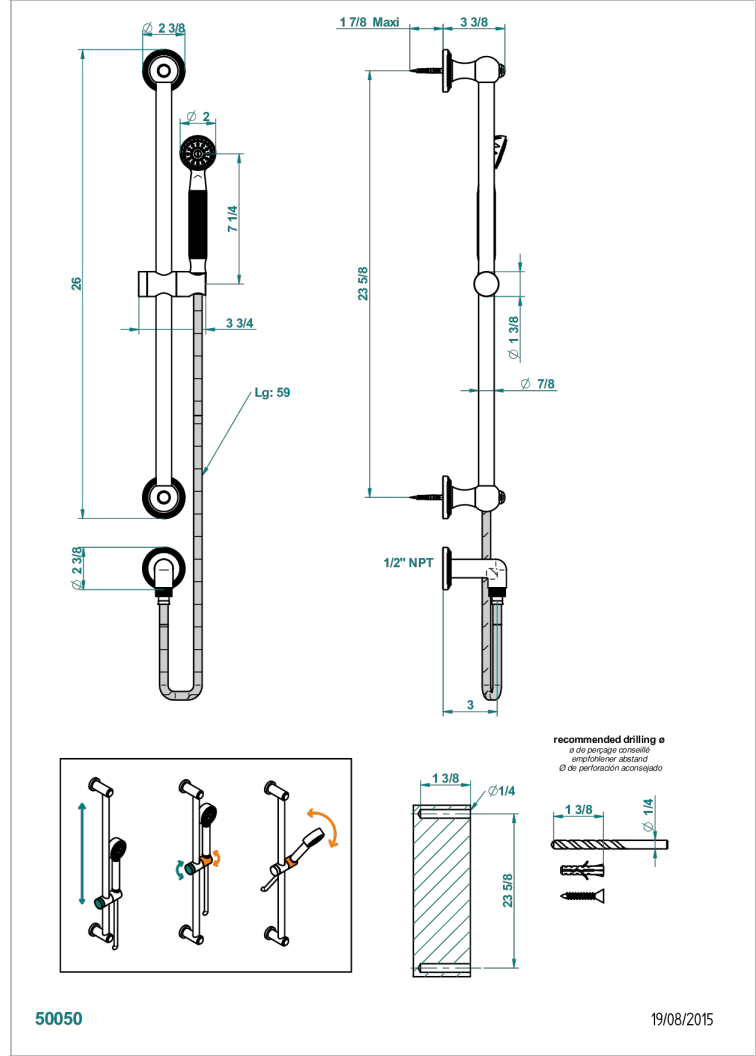
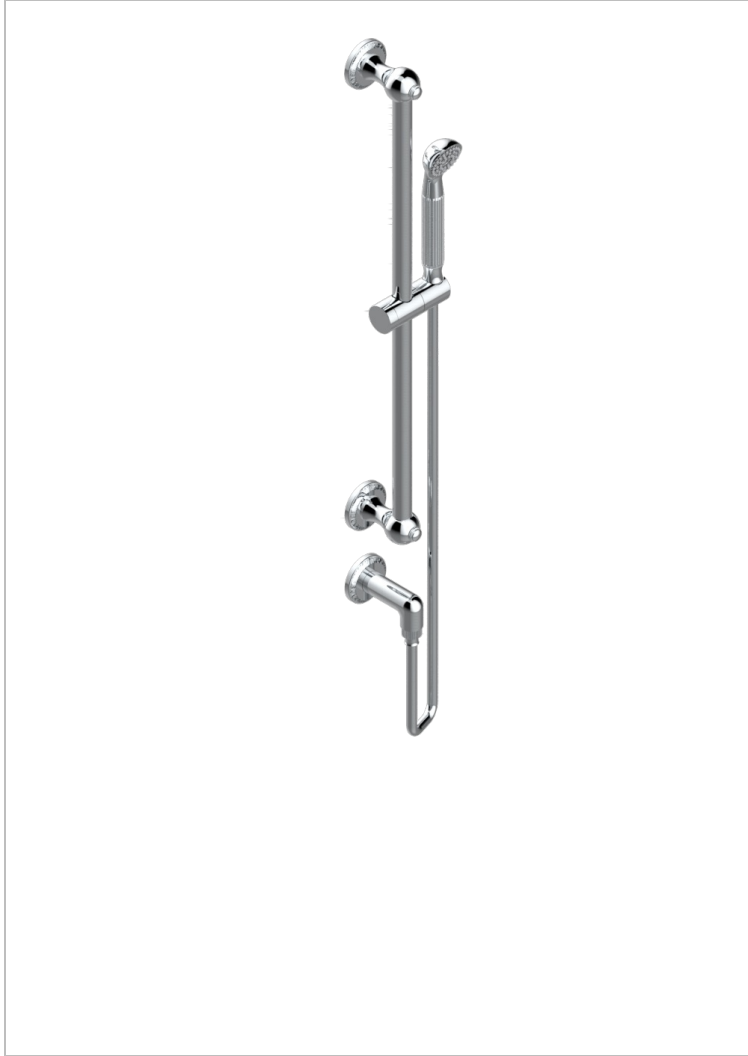


# MALMAISON METAL

U93-58/US

Slide bar with handsower and elbow



## CHARACTERISTIC

- Malmaison metal
- Slide bar with handsower and elbow

## TECHNICAL SPECS

- Recommandé : 3 bars (max. 5 bars) - Advised : 43,5 psi (max. 72 psi)
- 9,5 l/min à 3 bars (2.5 gpm at 43.5 psi)

## AVAILABLE FINITIONS

- Chrome polished - A02
- Chrome polished / gold polished - G02
- Copper antique matt, coated - H07
- Gold mat - F07
- Gold polished - F01
- Light coated bronze - D01

- Matt chrome (American satin) - C02
- Matt nickel (American satin) - C01
- Nickel antique / Sovereign - H28
- Nickel polished - B01
- Silver polished, antique - H03
- Soft gold - F30

- Soft matt gold - F31