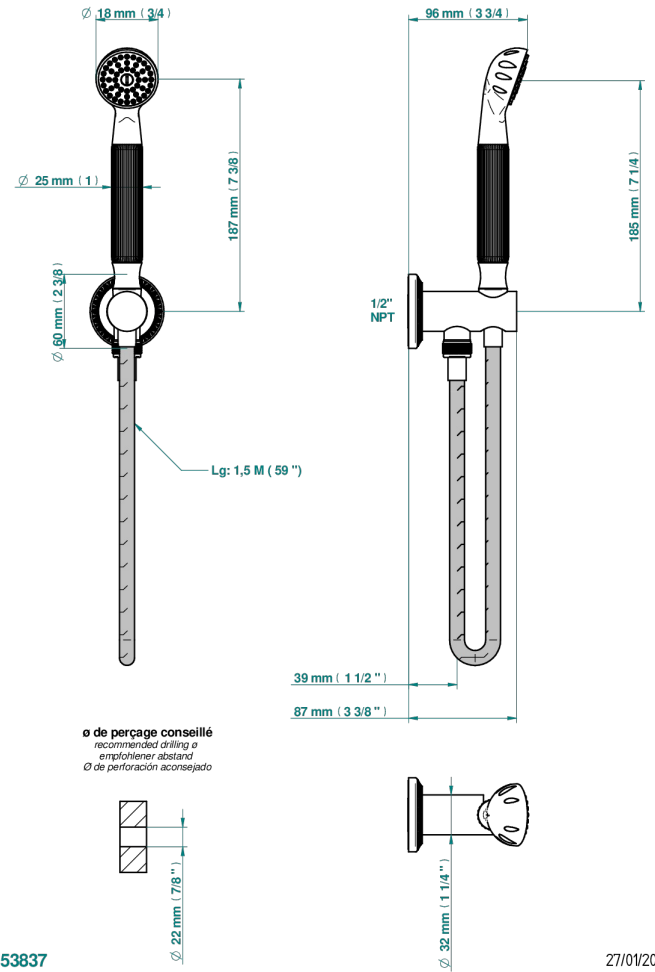
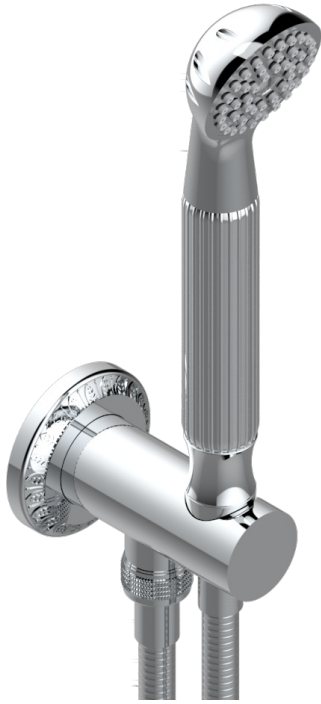


MALMAISON PORTORO

U95-54/US

Wall mounted handshower with integrated fixed hook



CHARACTERISTIC

- Malmaison Portoro
- Wall mounted handshower with integrated fixed hook

TECHNICAL SPECS

- Recommandé : 3 bars (max. 5 bars) - Advised : 43,5 psi (max. 72 psi)
- 9,5 l/min à 3 bars (2.5 gpm at 43.5 psi)

AVAILABLE FINITIONS

- Black nickel - D24
- Chrome polished - A02
- Chrome polished / gold polished - G02
- Copper antique matt, coated - H07
- Light coated bronze - D01
- Matt chrome (American satin) - C02

- Matt nickel (American satin) - C01
- Nickel antique / Sovereign - H28
- Nickel polished - B01
- Satin chrome - C03
- Silver polished, antique - H03