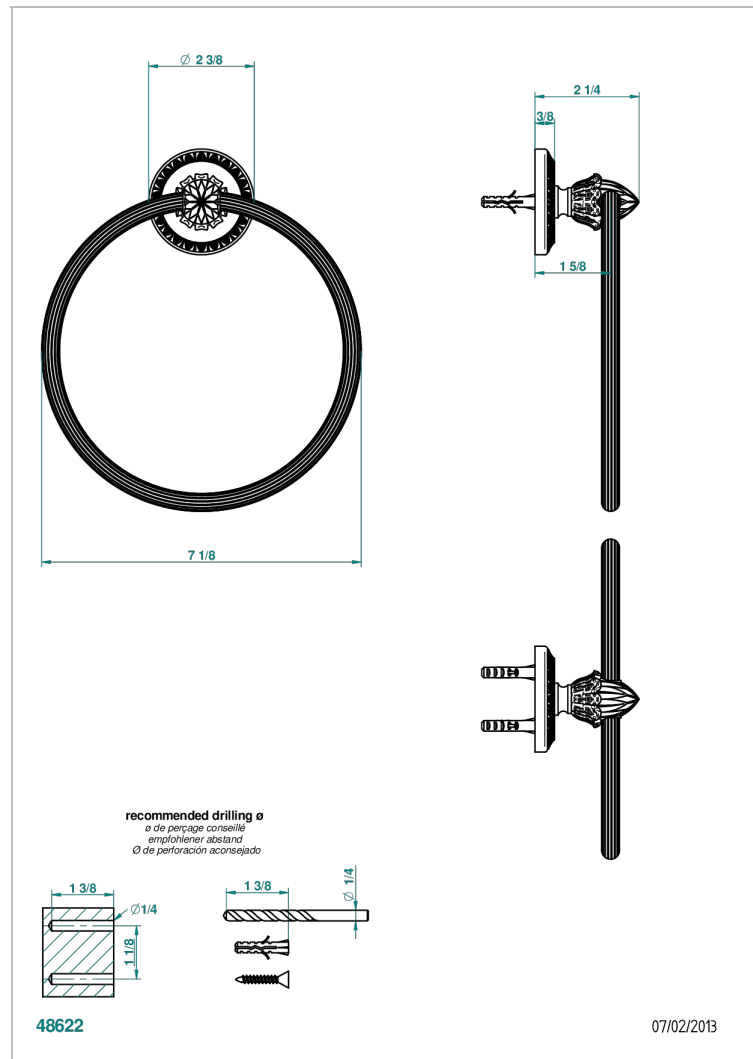


MALMAISON CRYSTAL

U94-504N

Towel ring

THG[®]
PARIS



CHARACTERISTIC

- Malmaison crystal
- Towel ring

AVAILABLE FINITIONS

Black nickel - D24
Chrome polished - A02
Chrome polished / gold polished - G02
Copper antique matt, coated - H07
Light coated bronze - D01
Matt chrome (American satin) - C02

Matt nickel (American satin) - C01
Nickel antique / Sovereign - H28
Nickel polished - B01
Satin chrome - C03
Silver polished, antique - H03