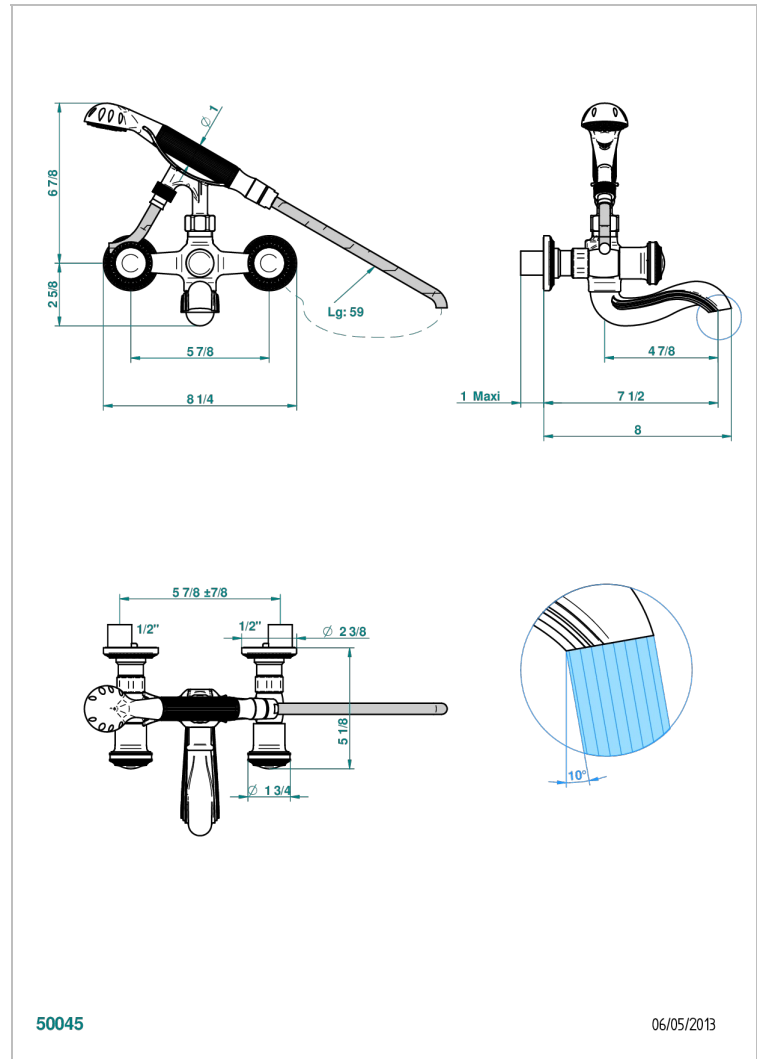


# MALMAISON CRYSTAL

U94-13B/US

Exposed tub filler with cradle handshower, wall mounted

THG<sup>®</sup>  
PARIS



## CHARACTERISTIC

- ASME : ASME A112.18.1-2011/CSA B125.1-11

## STANDARDS



## AVAILABLE FINITIONS

- Black nickel - D24
- Chrome polished - A02
- Chrome polished / gold polished - G02
- Copper antique matt, coated - H07
- Light coated bronze - D01
- Matt chrome (American satin) - C02

- Matt nickel (American satin) - C01
- Nickel antique / Sovereign - H28
- Nickel polished - B01
- Satin chrome - C03
- Silver polished, antique - H03