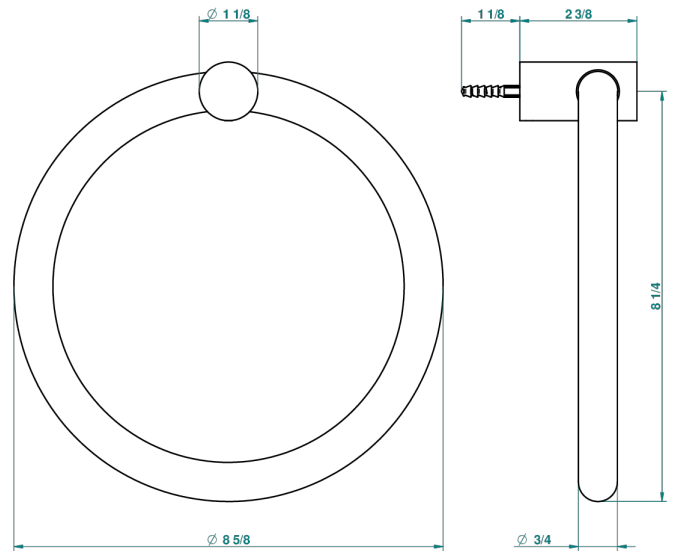


BEYOND CRYSTAL - CLEAR CRYSTAL

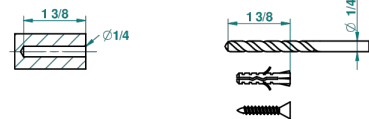
U6F-504N

Towel ring

THG[®]
PARIS



ø de perçage conseillé
recommended drilling ø
empfohlener Abstand
Ø de perforación aconsejado



53402

27/05/2014

CHARACTERISTIC

- Beyond Crystal - clear crystal
- Towel ring

AVAILABLE FINITIONS

Black nickel - D24
Blush PVD - H62
Brass color PVD - H49
Brown bronze color PVD - F33
Chrome polished - A02
Chrome polished / gold polished - G02

Gold color PVD - H52
Gold mat - F07
Gold polished - F01
Gold satiney - F03
Graphite PVD - H64
Matt Umber PVD - H67

Matt blush PVD - H60
Matt brass color PVD - H50
Matt brown bronze color PVD - F34
Matt chrome (American satin) - C02
Matt gold color PVD - H53
Matt graphite PVD - H65

Matt nickel color PVD - H56
Nickel antique / Sovereign - H28
Nickel color PVD - H55
Rose Gold - F27
Satin chrome - C03
Silver rhodium - F18

Soft gold - F30
Soft matt gold - F31
Umber PVD - H66