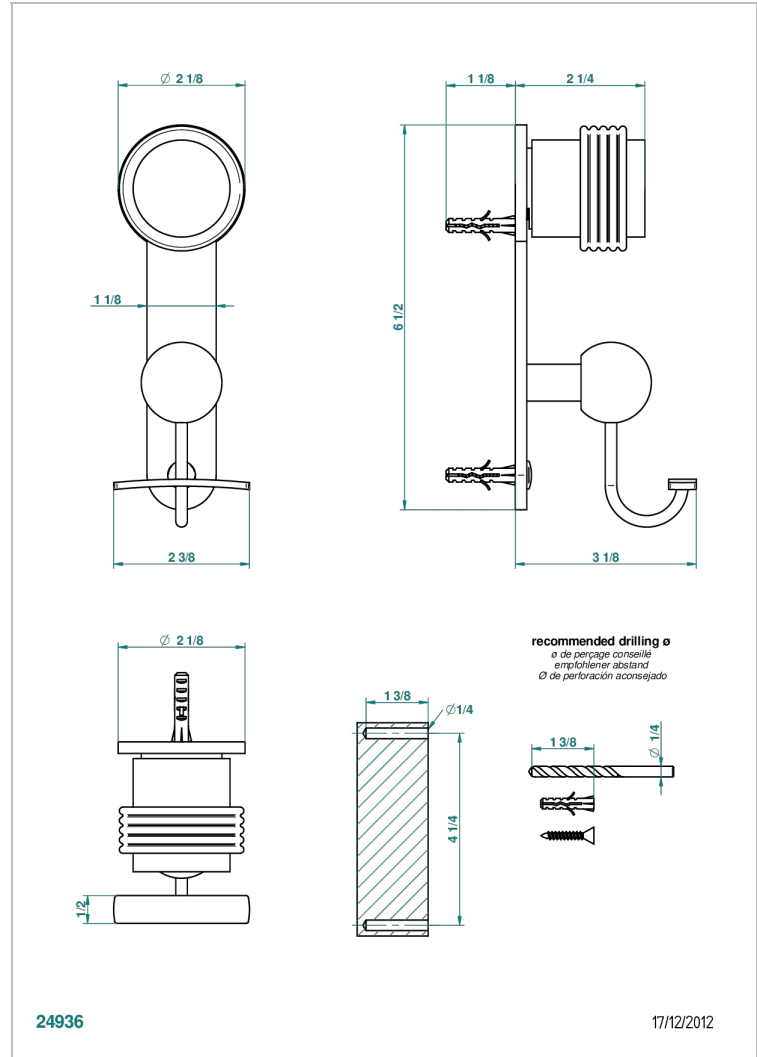


# DIPLIMATE GROOVED RINGS

U4B-510

Robe hook



## CHARACTERISTIC

- Diplimate grooved rings
- Robe hook

## AVAILABLE FINITIONS

Black nickel - D24  
 Blush PVD - H62  
 Brass color PVD - H49  
 Brown bronze color PVD - F33  
 Chrome polished - A02  
 Chrome polished / gold polished - G02

Copper antique matt, coated - H07  
 Gold color PVD - H52  
 Gold mat - F07  
 Gold polished - F01  
 Gold satiny - F03  
 Graphite PVD - H64

Light coated bronze - D01  
 Matt Umber PVD - H67  
 Matt blush PVD - H60  
 Matt brass color PVD - H50  
 Matt brown bronze color PVD - F34  
 Matt chrome (American satin) - C02

Matt gold color PVD - H53  
 Matt graphite PVD - H65  
 Matt nickel (American satin) - C01  
 Matt nickel color PVD - H56  
 Nickel antique / Sovereign - H28  
 Nickel color PVD - H55

Nickel polished - B01  
 Rose Gold - F27  
 Satin chrome - C03  
 Silver polished, antique - H03  
 Silver rhodium - F18  
 Soft gold - F30