

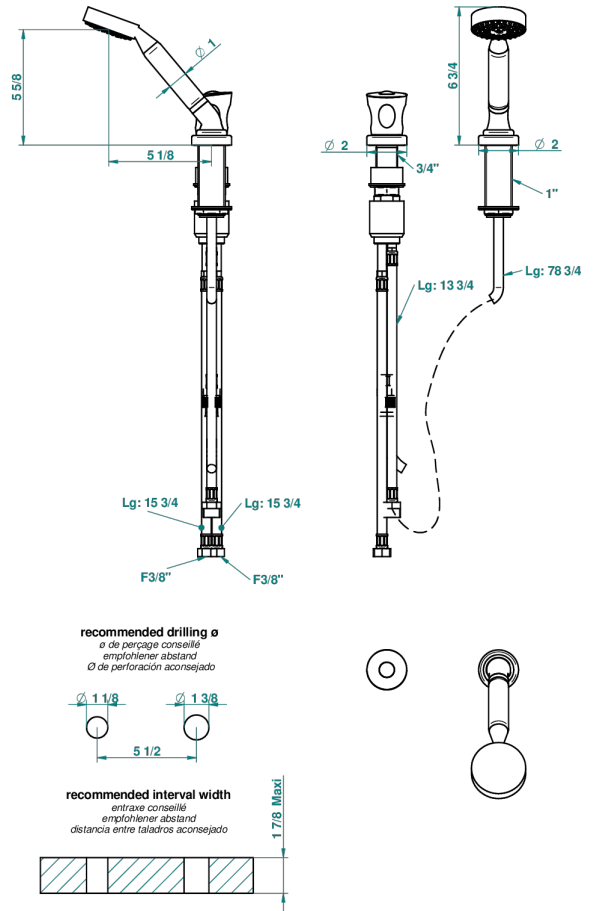
BAGATELLE BLACK STONE

U3E-6532/60A

Deck mounted mixer with handshower, progressive cartridge



DA



38770

04/10/2010

CHARACTERISTIC

- Bagatelle black stone
- Deck mounted mixer with handshower, progressive cartridge

TECHNICAL SPECS

- Recommandé : 3 bars (max. 5 bars) - Advised : 43,5 psi (max. 72 psi)
- 9,5 l/min à 3 bars (2.5 gpm at 43.5 psi)

AVAILABLE FINITIONS

Black nickel - D24
 Blush PVD - H62
 Brass color PVD - H49
 Brown bronze color PVD - F33
 Chrome polished - A02
 Chrome polished / gold polished - G02

Gold color PVD - H52
 Gold mat - F07
 Gold polished - F01
 Gold satiney - F03
 Graphite PVD - H64
 Matt Umber PVD - H67

Matt blush PVD - H60
 Matt brass color PVD - H50
 Matt brown bronze color PVD - F34
 Matt chrome (American satin) - C02
 Matt gold color PVD - H53
 Matt graphite PVD - H65

Matt nickel (American satin) - C01
 Matt nickel color PVD - H56
 Nickel antique / Sovereign - H28
 Nickel color PVD - H55
 Nickel polished - B01
 Rose Gold - F27

Satin chrome - C03
 Silver rhodium - F18
 Soft gold - F30
 Soft matt gold - F31
 Umber PVD - H66