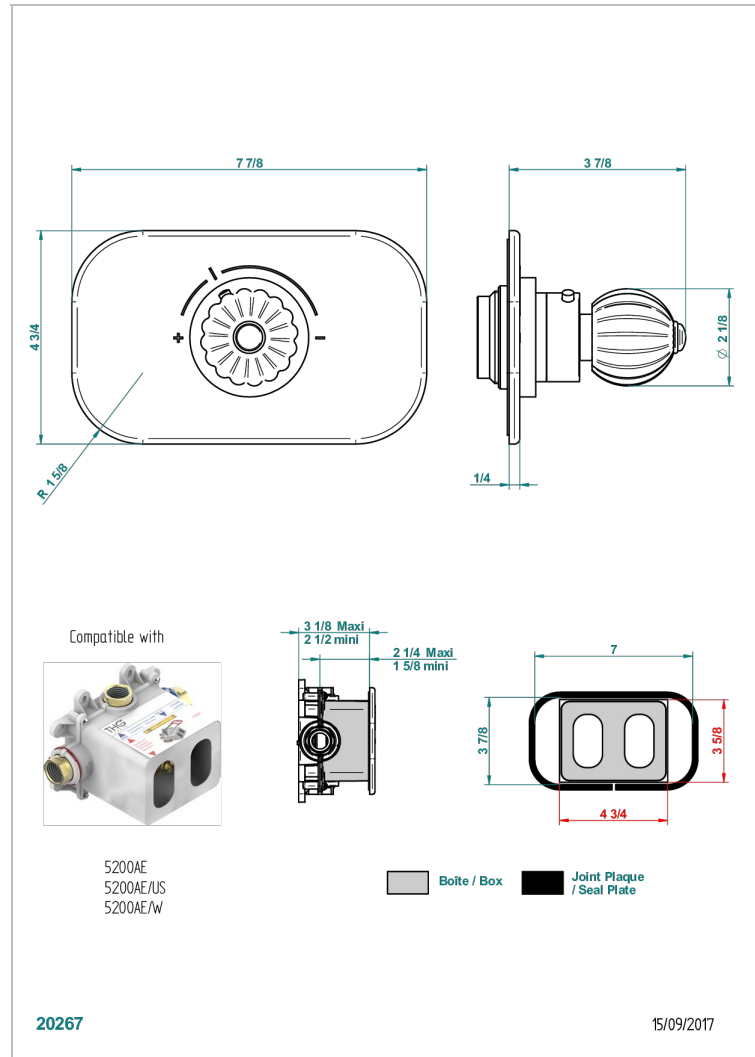


# MANDARINE METAL

U1A-5100B

Trim for THG thermostat, rough part supplied with fixing box ref.5 200AE/US



## CHARACTERISTIC

- Requires concealed thermostat ref. 5200AE, 5200AE/US and 5200AE/W
- Temperature control knob with security stop at 38°C
- On/off valves (or diverter with stop function) required for each shower function
- Solid brass plate and knob
- ASME : ASME A112.18.1-2011/CSA B125.1-11
- DVGW : DW-6512CQ0608

## STANDARDS



## RELATED SKU'S

- Ref. G00-5100C Extension kit for thermostatic mixing valve - for installation between 80 mm and 125 mm
- Ref. G00-5100G Reinforced stop ring for THG thermostatic with fixing set
- Ref. G00-5200AE/US 3/4" THG thermostat, 60 l/min with wax cartridge, delivered with a built-in box, no trim

## AVAILABLE FINITIONS

Black nickel - D24  
Blush PVD - H62  
Brass color PVD - H49  
Brown bronze color PVD - F33  
Chrome polished - A02  
Chrome polished / gold polished - G02

Copper antique matt, coated - H07  
Gold color PVD - H52  
Gold mat - F07  
Gold polished - F01  
Gold satiney - F03  
Graphite PVD - H64

Light coated bronze - D01  
Matt Umber PVD - H67  
Matt blush PVD - H60  
Matt brass color PVD - H50  
Matt brown bronze color PVD - F34  
Matt chrome (American satin) - C02

Matt gold color PVD - H53  
Matt graphite PVD - H65  
Matt nickel (American satin) - C01  
Matt nickel color PVD - H56  
Nickel antique / Sovereign - H28  
Nickel color PVD - H55

Nickel polished - B01  
Rose Gold - F27  
Satin chrome - C03  
Silver polished, antique - H03  
Silver rhodium - F18  
Soft gold - F30