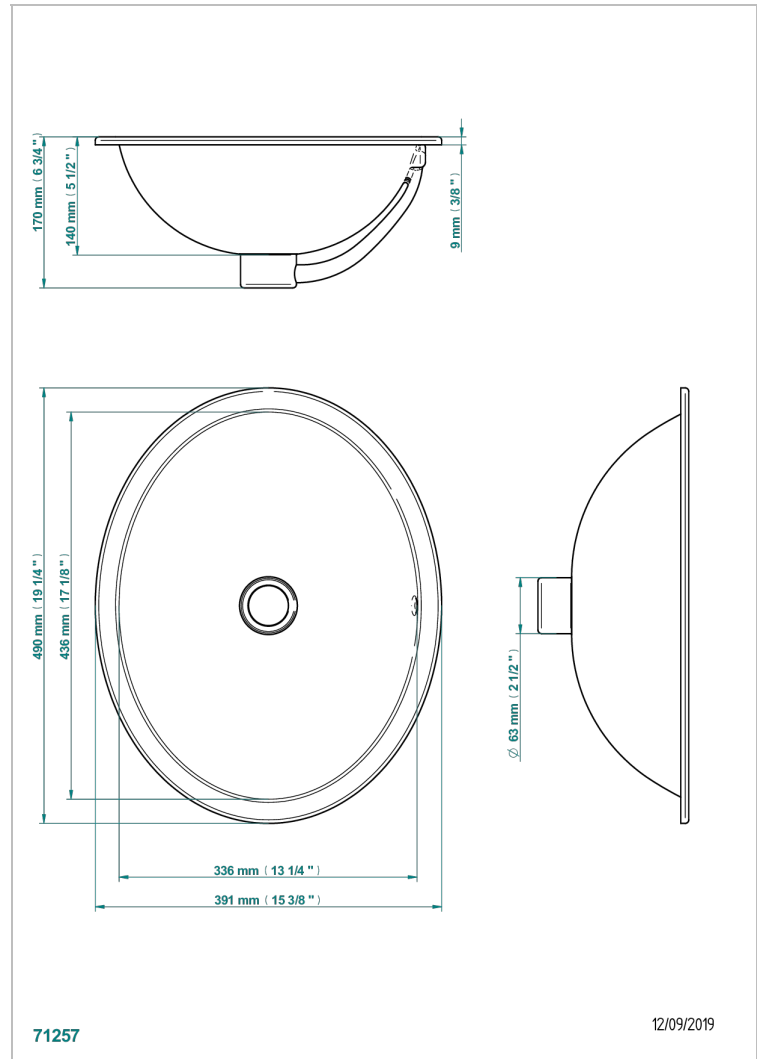


METAL BASIN

GB2-2/BT

Oval basin, 19 1/4" x 15 3/8", with overflow and high edge, to fix above, hammered metal finishing



CHARACTERISTIC

- Metal Basin
- Oval basin, 19 1/4" x 15 3/8", with overflow and high edge, to fix above, hammered metal finishing

AVAILABLE FINITIONS

- Chrome polished - A02
- Gold polished - F01
- Matt nickel (American satin) - C01
- Natural brass, uncoated (metal basin) - O05
- Natural red copper, uncoated (metal basin) - O04
- Nickel polished - B01

Soft gold - F30