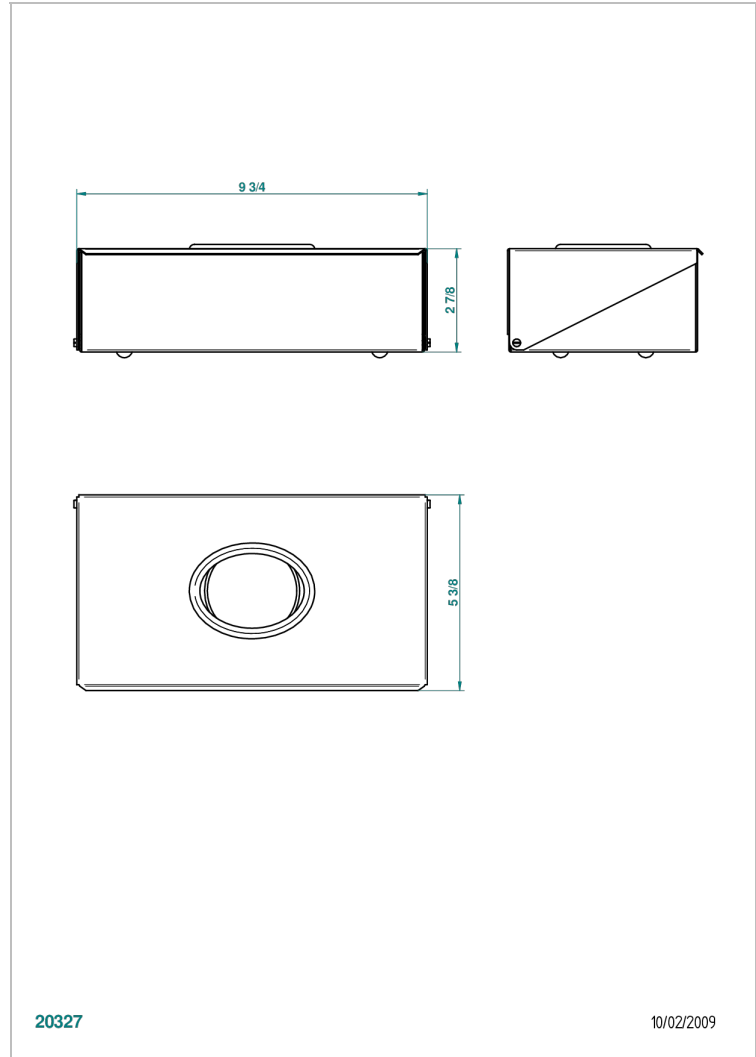
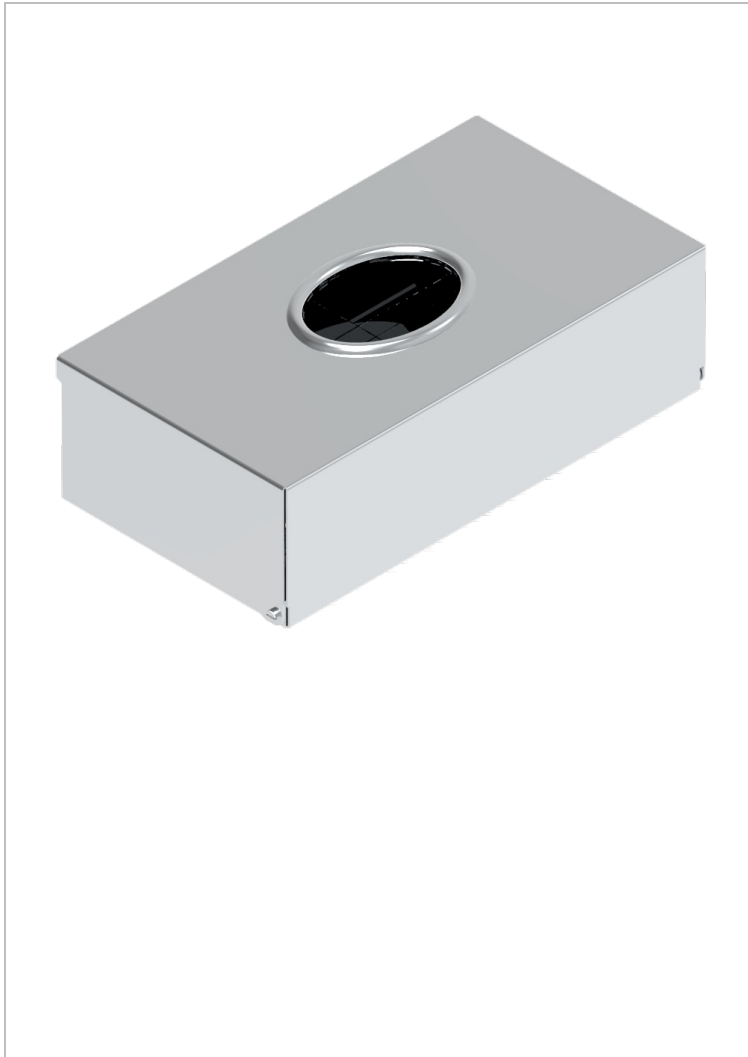


LES ONDES WITH LEVER HANDLES

G8B-704

Tissue dispenser 9' 5/8" x 5' 1/8" x 2' 3/4" surface mounted or freestanding



20327

10/02/2009

CHARACTERISTIC

- Les Ondes with lever handles
- Tissue dispenser 9' 5/8" x 5' 1/8" x 2' 3/4" surface mounted or freestanding

AVAILABLE FINITIONS

Chrome polished - A02
Chrome polished / gold polished - G02
Gold mat - F07
Gold polished - F01
Gold satiney - F03
Matt chrome (American satin) - C02

Matt nickel (American satin) - C01
Nickel antique / Sovereign - H28
Nickel polished - B01
Silver polished, antique - H03
Soft gold - F30
Soft matt gold - F31