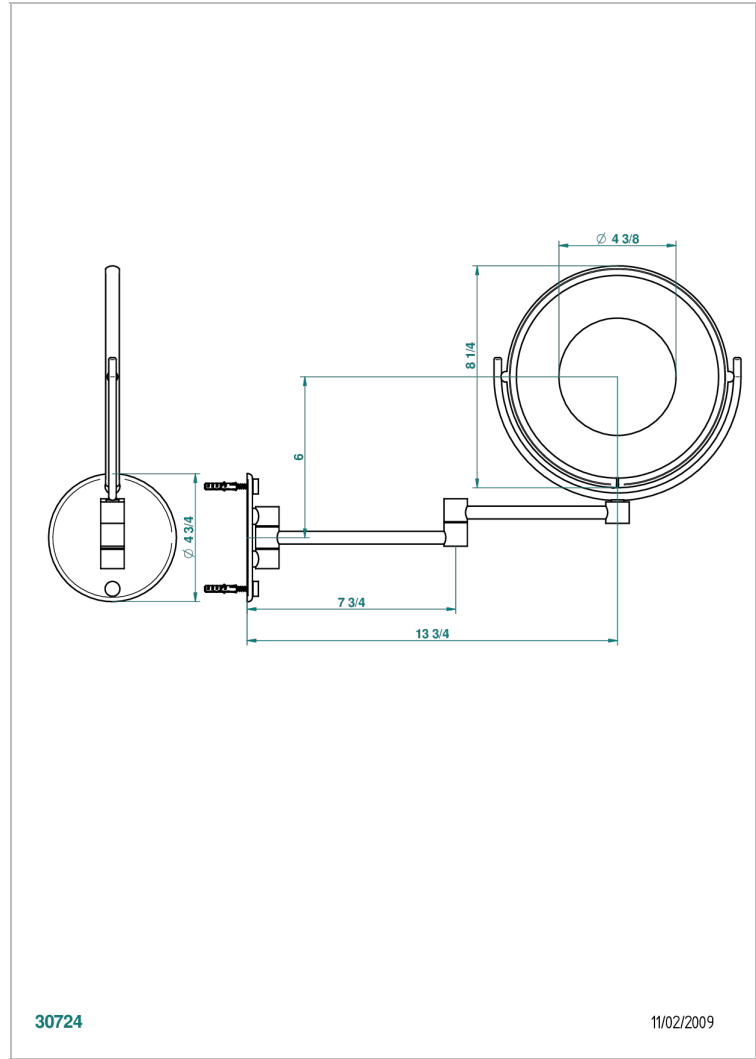


LES ONDES WITH LEVER HANDLES

G8B-661

Wall mirror, reversible \varnothing 8" with wall double arm - 1 magnifying face

THG[®]
PARIS



30724

11/02/2009

CHARACTERISTIC

- Les Ondes with lever handles
- Wall mirror, reversible \varnothing 8" with wall double arm - 1 magnifying face

AVAILABLE FINITIONS

Chrome polished - A02
Gold mat - F07
Gold polished - F01
Gold satiney - F03
Matt nickel (American satin) - C01
Nickel polished - B01

Silver polished, antique - H03
Soft gold - F30
Soft matt gold - F31