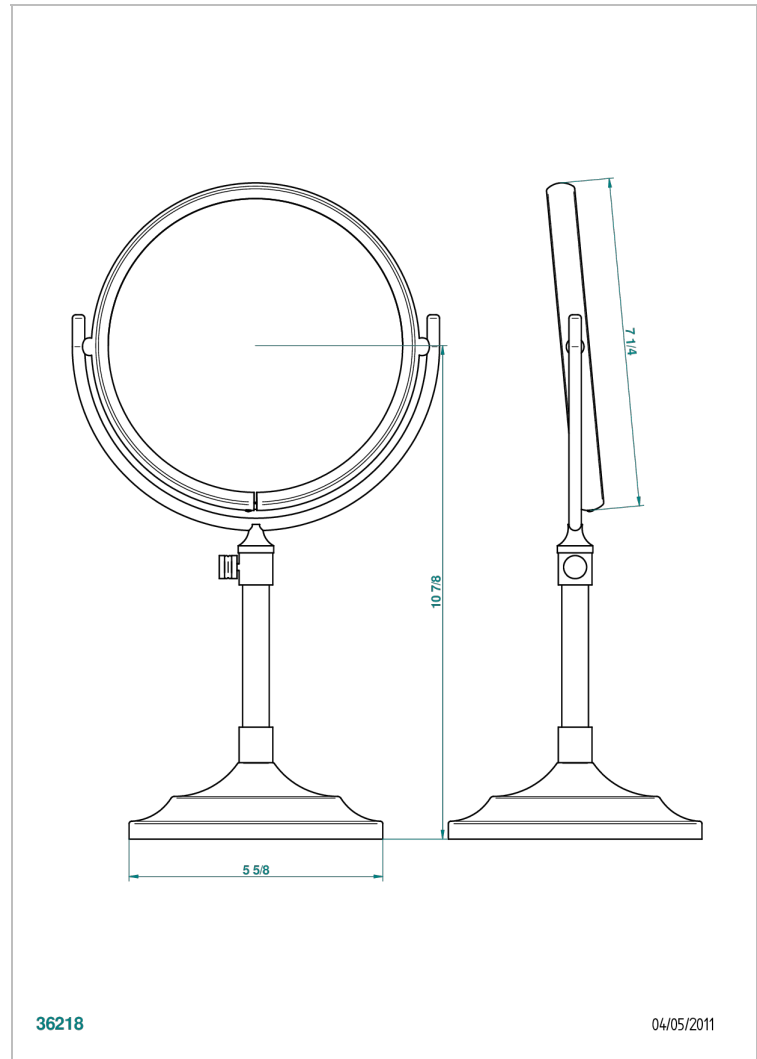


LES ONDES WITH LEVER HANDLES

G8B-660

Stand mirror, reversible, ø 7", adjustable foot - 1 magnifying face

THG[®]
PARIS



CHARACTERISTIC

- Les Ondes with lever handles
- Stand mirror, reversible, ø 7", adjustable foot - 1 magnifying face

AVAILABLE FINITIONS

Chrome polished - A02
Chrome polished / gold polished - G02
Gold mat - F07
Gold polished - F01
Light coated bronze - D01
Matt chrome (American satin) - C02

Matt nickel (American satin) - C01
Nickel antique / Sovereign - H28
Nickel polished - B01
Silver polished, antique - H03
Soft gold - F30
Soft matt gold - F31