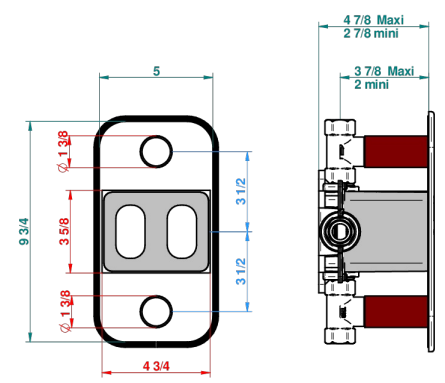


Compatible with  
5400AE  
5400AE/US  
5400AE/W



Boîte / Box Joint Plaque / Seal Plate Tube

59634

22/11/2017

### CHARACTERISTIC

- Built-in thermostatic cover for 5400AE - 5400AE/W - 5400AE/US with 2 no. 3/4" outputs
- Requires concealed thermostat réf 5400AE - 5400AE/W - 5400AE/US
- For shower 2 simultaneous functions
- Temperature control knob with security stop at 38°C
- Solid brass plate and knob
- ASME : ASME A112.18.1-2011/CSA B125.1-11
- DVGW : DW-6512CQ0608

### STANDARDS



### RELATED SKU'S

- Ref. G00-5400AE/US 3/4" THG thermostat with wax cartridge, with two valves delivered with a built-in box, no trim
- Ref. G00-5100G Reinforced stop ring for THG thermostatic with fixing set

### AVAILABLE FINITIONS

- |                                       |                                   |                                    |                                    |                                |
|---------------------------------------|-----------------------------------|------------------------------------|------------------------------------|--------------------------------|
| Black nickel - D24                    | Copper antique matt, coated - H07 | Light coated bronze - D01          | Matt gold color PVD - H53          | Nickel polished - B01          |
| Blush PVD - H62                       | Gold color PVD - H52              | Matt Umber PVD - H67               | Matt graphite PVD - H65            | Rose Gold - F27                |
| Brass color PVD - H49                 | Gold mat - F07                    | Matt blush PVD - H60               | Matt nickel (American satin) - C01 | Satin chrome - C03             |
| Brown bronze color PVD - F33          | Gold polished - F01               | Matt brass color PVD - H50         | Matt nickel color PVD - H56        | Silver polished, antique - H03 |
| Chrome polished - A02                 | Gold satiney - F03                | Matt brown bronze color PVD - F34  | Nickel antique / Sovereign - H28   | Silver rhodium - F18           |
| Chrome polished / gold polished - G02 | Graphite PVD - H64                | Matt chrome (American satin) - C02 | Nickel color PVD - H55             | Soft gold - F30                |