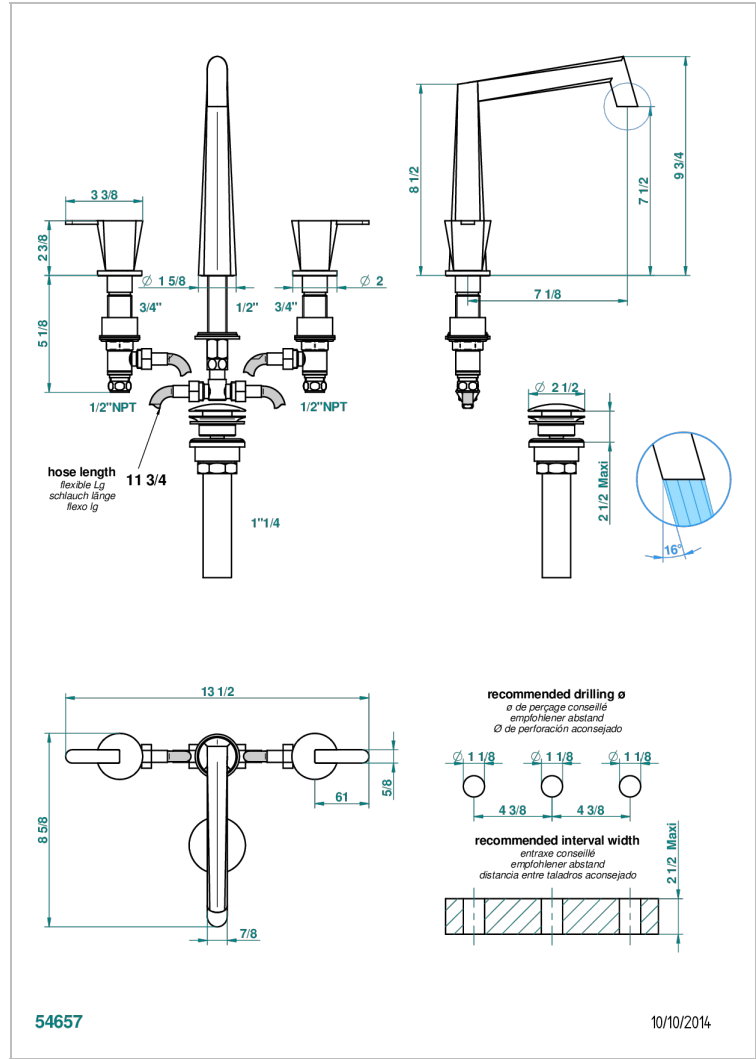


METAMORPHOSE WITH LEVER HANDLES

G6B-2151/US

Widespread bidet set with drain



CHARACTERISTIC

- ASME : ASME A112.18.1-2011/CSA B125.1-11

TECHNICAL SPECS

- Recommandé : 3 bars (max. 5 bars) - Advised : 43,5 psi (max. 72 psi)
- 5,7 l/min à 3 bars (1.5 gpm at 43.5 psi)
- 1.2 gpm on demand in accordance with California's rules

STANDARDS



AVAILABLE FINITIONS

- Black nickel - D24
- Blush PVD - H62
- Brass color PVD - H49
- Brown bronze color PVD - F33
- Chrome polished - A02
- Chrome polished / gold polished - G02

- Copper antique matt, coated - H07
- Gold color PVD - H52
- Gold mat - F07
- Gold polished - F01
- Gold satiney - F03
- Graphite PVD - H64

- Light coated bronze - D01
- Matt Umber PVD - H67
- Matt blush PVD - H60
- Matt brass color PVD - H50
- Matt brown bronze color PVD - F34
- Matt chrome (American satin) - C02

- Matt gold color PVD - H53
- Matt graphite PVD - H65
- Matt nickel (American satin) - C01
- Matt nickel color PVD - H56
- Nickel antique / Sovereign - H28
- Nickel color PVD - H55

- Nickel polished - B01
- Rose Gold - F27
- Satin chrome - C03
- Silver polished, antique - H03
- Silver rhodium - F18
- Soft gold - F30