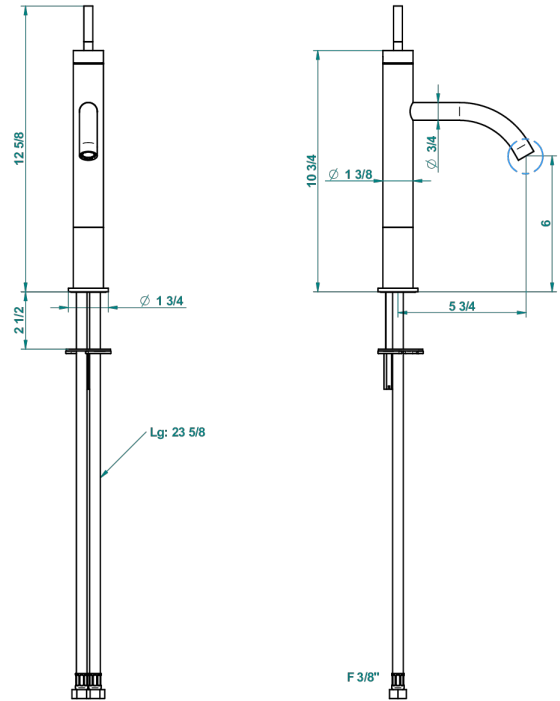


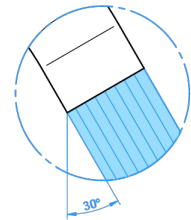
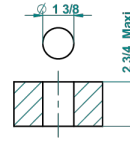
# ANOA BLACK HORN

G5D-6501H/US

Single lever lavatory mixer without drain - Tall version



recommended drilling ø  
ø de perçage conseillé  
empfohlenes Abstanf  
Ø de perforación aconsejado



54060

06/10/2016

## CHARACTERISTIC

- ASME : ASME A112.18.1-2011/CSA B125.1-11

## TECHNICAL SPECS

- Recommandé : 3 bars (max. 5 bars) - Advised : 43,5 psi (max. 72 psi)
- 5,7 l/min à 3 bars (1.5 gpm at 43.5 psi)
- 1.2 gpm on demand in accordance with California's rules

## STANDARDS



## AVAILABLE FINITIONS

Black nickel - D24  
 Chrome polished - A02  
 Chrome polished / gold polished - G02  
 Gold mat - F07  
 Gold polished - F01  
 Gold satiny - F03

Matt chrome (American satin) - C02  
 Matt nickel (American satin) - C01  
 Nickel antique / Sovereign - H28  
 Nickel polished - B01  
 Rose Gold - F27  
 Satin chrome - C03

Silver rhodium - F18  
 Soft gold - F30  
 Soft matt gold - F31