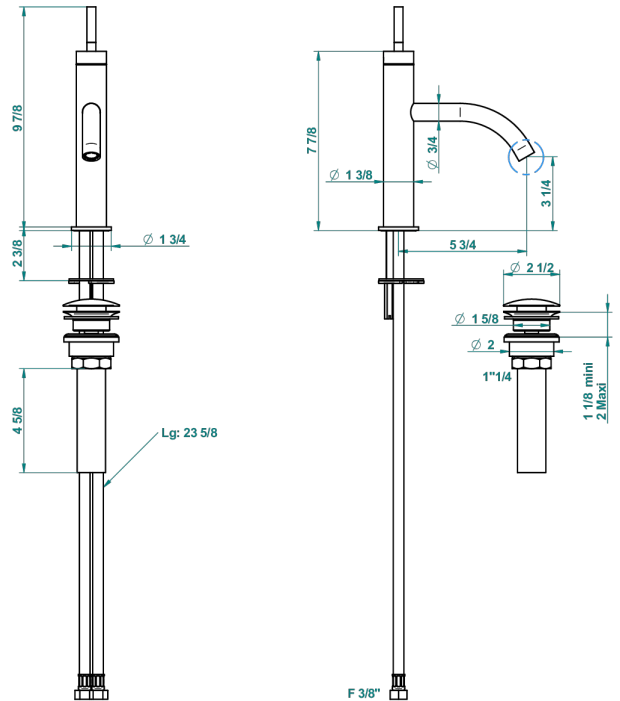


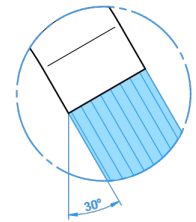
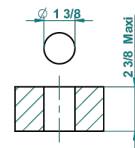
ANOA BLACK HORN

G5D-6501B/US

Single lever lavatory mixer with drain



recommended drilling ø
ø de perçage conseillé
empfohlener Abstand
Ø de perforación aconsejado



60584

06/10/2016

CHARACTERISTIC

- ASME : ASME A112.18.1-2011/CSA B125.1-11

STANDARDS



AVAILABLE FINITIONS

- Black nickel - D24
- Chrome polished - A02
- Chrome polished / gold polished - G02
- Gold mat - F07
- Gold polished - F01
- Gold satiney - F03

- Matt chrome (American satin) - C02
- Matt nickel (American satin) - C01
- Nickel antique / Sovereign - H28
- Nickel polished - B01
- Rose Gold - F27
- Satin chrome - C03

- Silver rhodium - F18
- Soft gold - F30
- Soft matt gold - F31