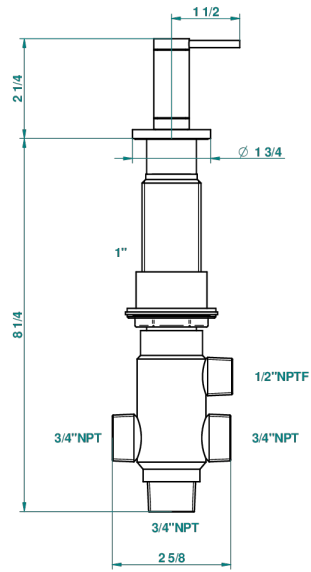


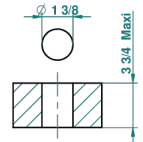
ANOA BLACK HORN

G5D-504VGUS

2-function deck diverter with trim



recommended drilling ø
ø de perçage conseillé
empfohlener abstand
Ø de perforación aconsejado



51918

15/01/2014

CHARACTERISTIC

- Anoa black horn
- 2-function deck diverter with trim

AVAILABLE FINITIONS

Black nickel - D24
Chrome polished - A02
Chrome polished / gold polished - G02
Gold mat - F07
Gold polished - F01
Gold satiney - F03

Matt chrome (American satin) - C02
Matt nickel (American satin) - C01
Nickel antique / Sovereign - H28
Nickel polished - B01
Rose Gold - F27
Satin chrome - C03

Silver rhodium - F18
Soft gold - F30
Soft matt gold - F31