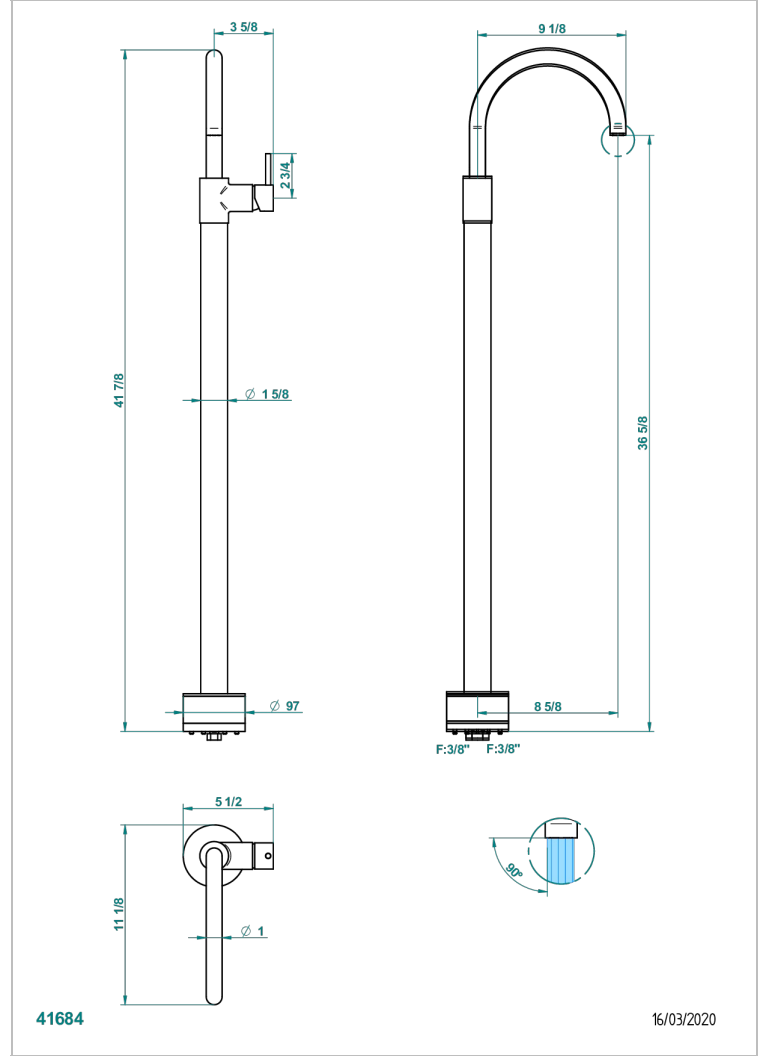


Floor mounted lavatory faucet



CHARACTERISTIC

- Nano
- Floor mounted lavatory faucet

TECHNICAL SPECS

- Recommandé : 3 bars (max. 5 bars) - Advised : 43,5 psi (max. 72 psi)
- 15 l/min à 3 bars (4 gpm at 43.5 psi)

AVAILABLE FINITIONS

Black nickel - D24
 Chrome polished - A02
 Chrome polished / gold polished - G02
 Gold mat - F07
 Gold polished - F01
 Gold satiney - F03

Matt chrome (American satin) - C02
 Matt nickel (American satin) - C01
 Nickel antique / Sovereign - H28
 Nickel polished - B01
 Rose Gold - F27
 Satin chrome - C03

Silver rhodium - F18
 Soft gold - F30
 Soft matt gold - F31