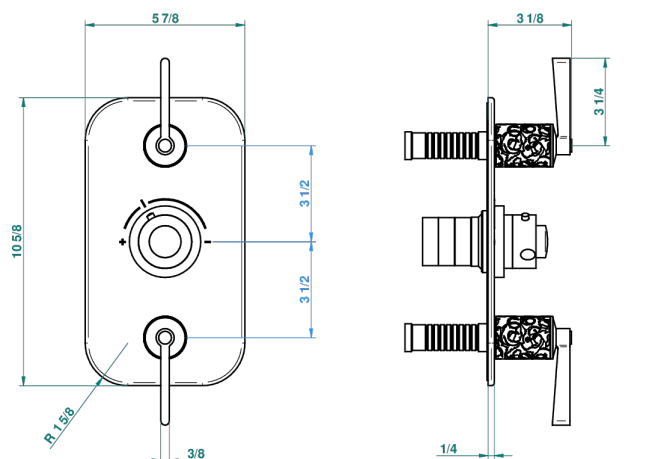
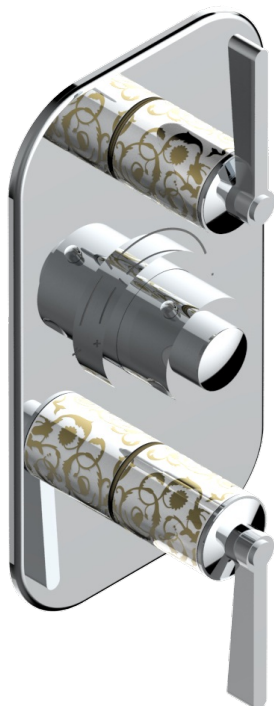


FROUFROU WITH LEVER HANDLES

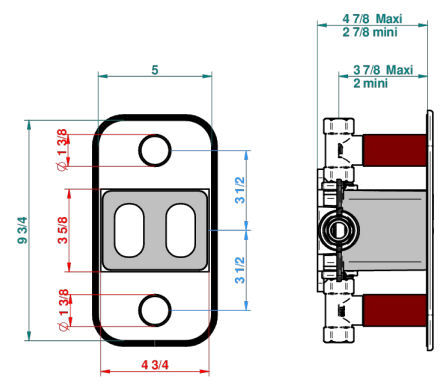
G2P-5400BE

Trim for THG thermostat 2 volume controls, rough part supplied with fixing box ref. 5 400AE/US



Compatible with

5400AE
5400AE/US
5400AE/W



Boite / Box Joint Plaque / Seal Plate Tube

60657

16/11/2017

CHARACTERISTIC

- Built-in thermostatic cover for 5400AE - 5400AE/W - 5400AE/US with 2 no. 3/4" outputs
- Requires concealed thermostat réf 5400AE - 5400AE/W - 5400AE/US
- For shower 2 simultaneous functions
- Temperature control knob with security stop at 38°C
- Solid brass plate and knob
- ASME : ASME A112.18.1-2011/CSA B125.1-11
- DVGW : DW-6512CQ0608

STANDARDS



RELATED SKU'S

- Ref. G00-5400AE/US 3/4" THG thermostat with wax cartridge, with two valves delivered with a built-in box, no trim
- Ref. G00-5100G Reinforced stop ring for THG thermostatic with fixing set

AVAILABLE FINITIONS

- | | | | | |
|---------------------------------------|----------------------|------------------------------------|------------------------------------|----------------------|
| Black nickel - D24 | Gold color PVD - H52 | Matt blush PVD - H60 | Matt nickel (American satin) - C01 | Satin chrome - C03 |
| Blush PVD - H62 | Gold mat - F07 | Matt brass color PVD - H50 | Matt nickel color PVD - H56 | Silver rhodium - F18 |
| Brass color PVD - H49 | Gold polished - F01 | Matt brown bronze color PVD - F34 | Nickel antique / Sovereign - H28 | Soft gold - F30 |
| Brown bronze color PVD - F33 | Gold satiné - F03 | Matt chrome (American satin) - C02 | Nickel color PVD - H55 | Soft matt gold - F31 |
| Chrome polished - A02 | Graphite PVD - H64 | Matt gold color PVD - H53 | Nickel polished - B01 | Umber PVD - H66 |
| Chrome polished / gold polished - G02 | Matt Umber PVD - H67 | Matt graphite PVD - H65 | Rose Gold - F27 | |