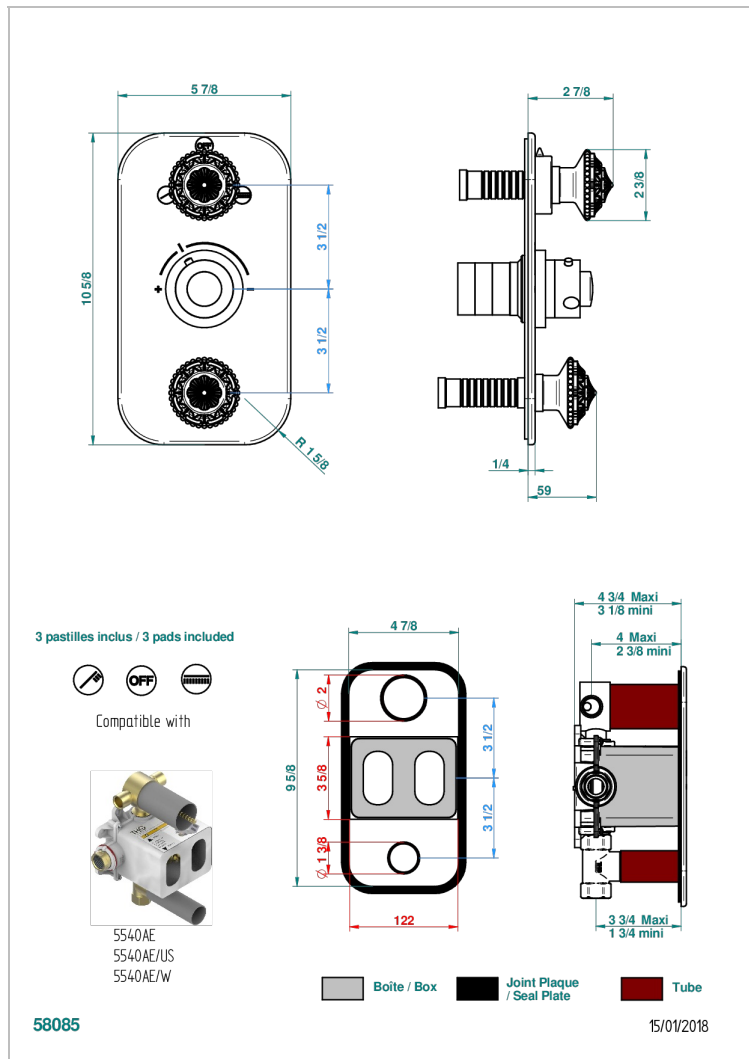


AMOUR DE TRIANON

G24-5540BE

THG
PARIS

Trim for THG thermostat 3 functions , with one off function and 2 outlets and one single off function - rough part supplied with fixing box ref. .5 540AE/US



CHARACTERISTIC

- Built-in thermostatic cover for 5540AE with 3 outputs (1 x 3/4' and 2 x 1/2')
- Requires concealed thermostat Réf. 5540AE - 5540AE/US - 5540AE/W
- Output high : ceramic diverter with 2 functions and stopvalve
- Output downwards : 1/4' turn of 3/4' stopvalve
- For Shower 3 functions - 2 functions can operate simultaneously
- Temperature control knob with security stop at 38°C
- Solid brass plate and knob
- ASME : ASME A112.18.1-2011/CSA B125.1-11
- DVGW : DW-6512CQ0608

STANDARDS



RELATED SKU'S

- Ref. G00-5100G Reinforced stop ring for THG thermostatic with fixing set
- Ref. G00-5540AE/US Thg thermostat with wax cartridge with one stop valve, 2 outlets and another stop valve, delivered with a built-in box, no trim

AVAILABLE FINITIONS

Black nickel - D24
 Chrome polished - A02
 Chrome polished / gold polished - G02
 Copper antique matt, coated - H07
 Gold mat - F07
 Gold polished - F01

Gold satiney - F03
 Light coated bronze - D01
 Matt chrome (American satin) - C02
 Matt nickel (American satin) - C01
 Nickel antique / Sovereign - H28
 Nickel polished - B01

Rose Gold - F27
 Satin chrome - C03
 Silver polished, antique - H03
 Silver rhodium - F18
 Soft gold - F30
 Soft matt gold - F31

Soft satin gold - F32