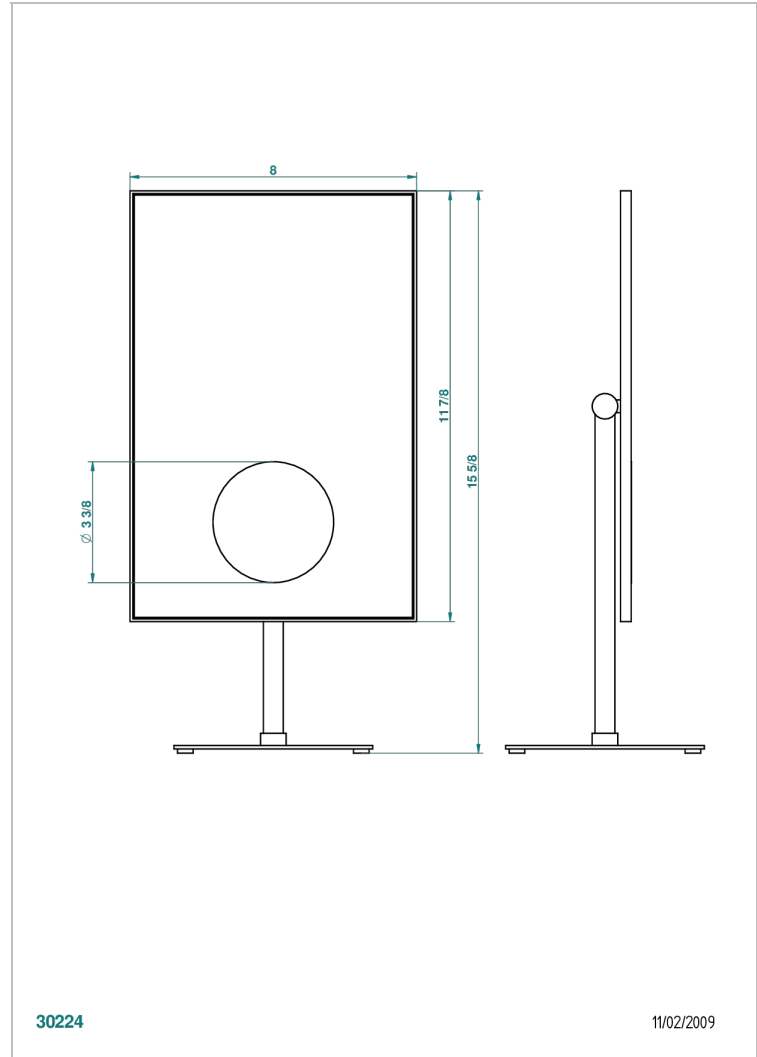
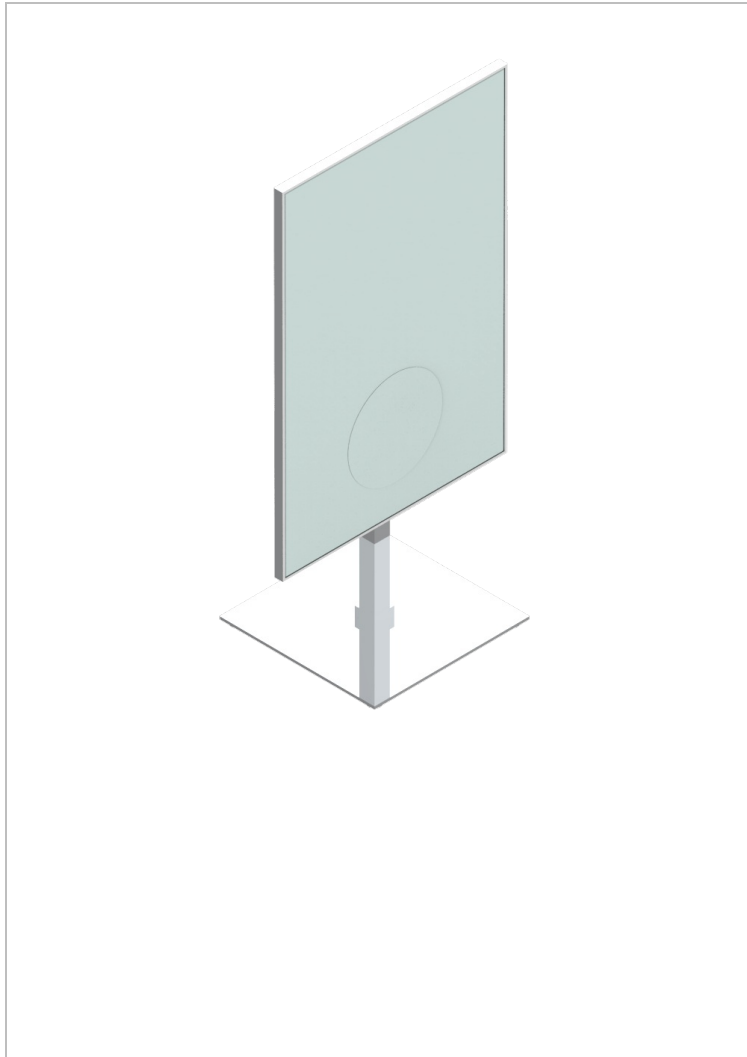


G00-666

Stand mirror 8" x 11 13/16" total height 15 9/16", tilting to 45° - magnification : x 3



30224

11/02/2009

## CHARACTERISTIC

- General Products
- Stand mirror 8" x 11 13/16" total height 15 9/16", tilting to 45° - magnification : x 3

## AVAILABLE FINITIONS

- |                                       |                                   |                                    |                                    |                                |
|---------------------------------------|-----------------------------------|------------------------------------|------------------------------------|--------------------------------|
| Black nickel - D24                    | Copper antique matt, coated - H07 | Light coated bronze - D01          | Matt gold color PVD - H53          | Nickel polished - B01          |
| Blush PVD - H62                       | Gold color PVD - H52              | Matt Umber PVD - H67               | Matt graphite PVD - H65            | Rose Gold - F27                |
| Brass color PVD - H49                 | Gold mat - F07                    | Matt blush PVD - H60               | Matt nickel (American satin) - C01 | Satin chrome - C03             |
| Brown bronze color PVD - F33          | Gold polished - F01               | Matt brass color PVD - H50         | Matt nickel color PVD - H56        | Silver polished, antique - H03 |
| Chrome polished - A02                 | Gold satiney - F03                | Matt brown bronze color PVD - F34  | Nickel antique / Sovereign - H28   | Silver rhodium - F18           |
| Chrome polished / gold polished - G02 | Graphite PVD - H64                | Matt chrome (American satin) - C02 | Nickel color PVD - H55             | Soft gold - F30                |