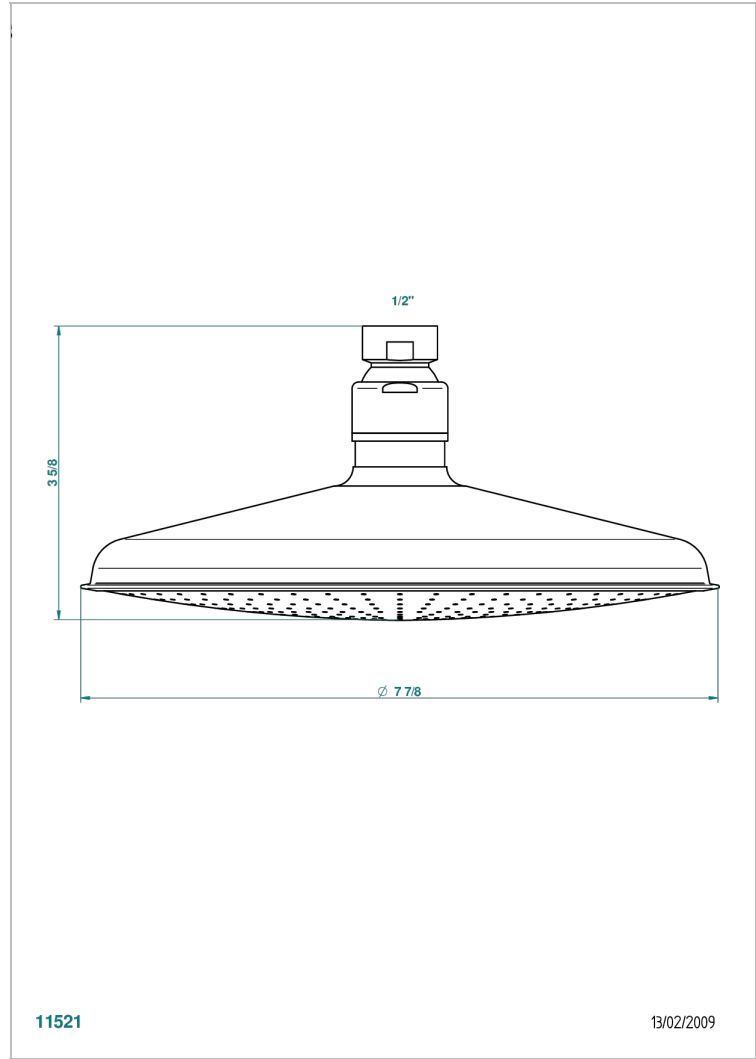


GENERAL PRODUCTS

G00-286/US

Shower head, 8 " diameter

THG[®]
PARIS



CHARACTERISTIC

- Showerhead equipped with a flow limiter
- Rain spray
- Mounted on a ball joint
- Installation of a water softener is strongly recommended

TECHNICAL SPECS

- Recommandé : 3 bars (max. 5 bars) - Advised : 43,5 psi (max. 72 psi)
- 9,5 l/min à 3 bars (2.5 gpm at 43.5 psi)

AVAILABLE FINITIONS

Chrome polished - A02

Nickel polished - B01