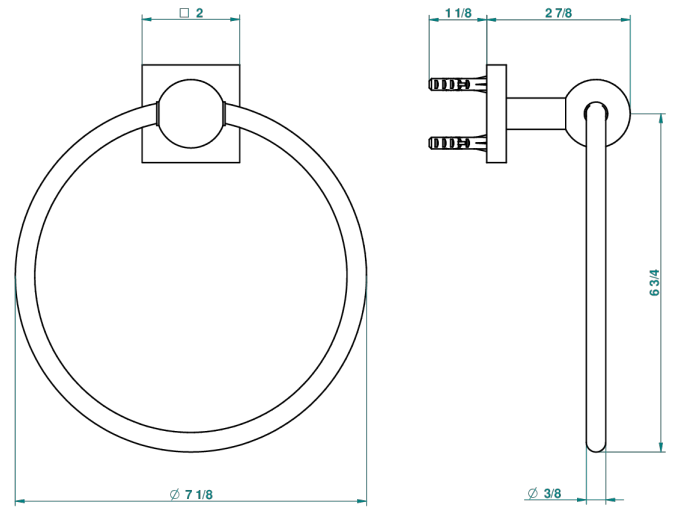


MARINA BLACK ONYX

A60-504N

Towel ring

THG[®]
PARIS



recommended drilling ϕ
à de perçage conseillé
empfohlener abstand
Ø de perforación aconsejado



18686

07/09/2010

CHARACTERISTIC

- Marina black Onyx
- Towel ring

AVAILABLE FINITIONS

Black nickel - D24
Chrome polished - A02
Chrome polished / gold polished - G02
Copper antique matt, coated - H07
Gold mat - F07
Gold polished - F01

Gold satiney - F03
Matt chrome (American satin) - C02
Matt nickel (American satin) - C01
Nickel antique / Sovereign - H28
Nickel polished - B01
Rose Gold - F27

Silver polished, antique - H03
Silver rhodium - F18
Soft gold - F30
Soft matt gold - F31