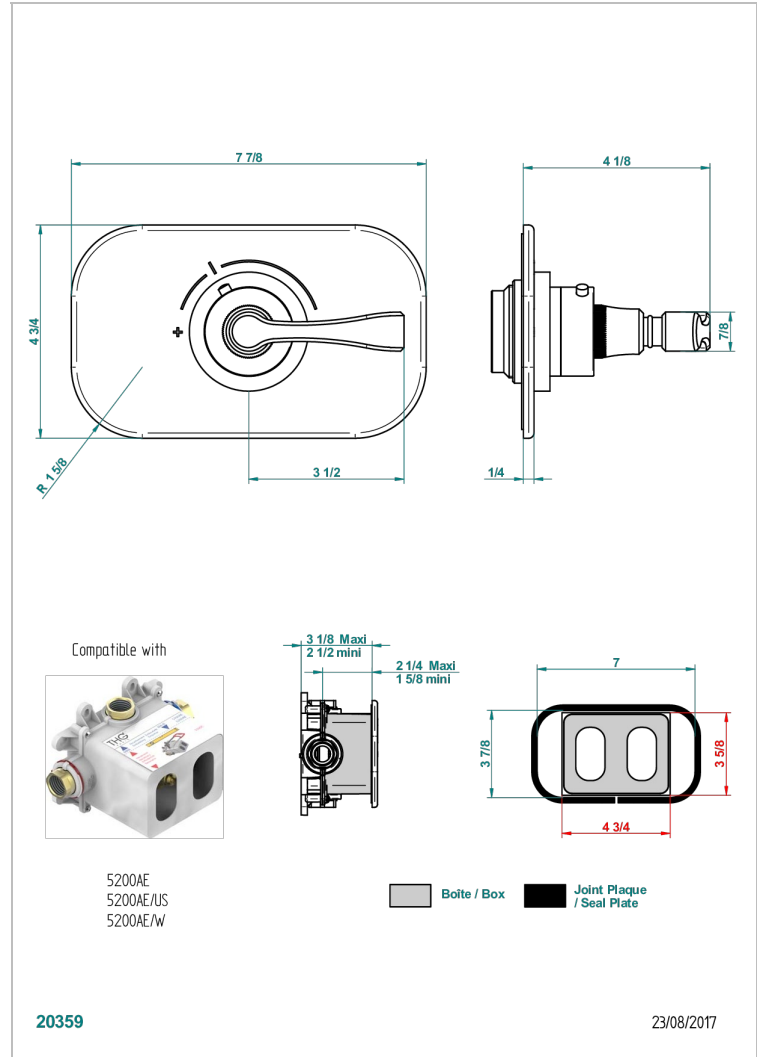


ART DECO WITH LEVER HANDLES

A55-5100B

Trim for THG thermostat, rough part supplied with fixing box ref.5 200AE/US



CHARACTERISTIC

- Requires concealed thermostat ref. 5200AE, 5200AE/US and 5200AE/W
- Temperature control knob with security stop at 38°C
- On/off valves (or diverter with stop function) required for each shower function
- Solid brass plate and knob
- ASME : ASME A112.18.1-2011/CSA B125.1-11
- DVGW : DW-6512CQ0608

STANDARDS



RELATED SKU'S

- Ref. G00-5100C Extension kit for thermostatic mixing valve - for installation between 80 mm and 125 mm
- Ref. G00-5100G Reinforced stop ring for THG thermostatic with fixing set
- Ref. G00-5200AE/US 3/4" THG thermostat, 60 l/min with wax cartridge, delivered with a built-in box, no trim

AVAILABLE FINITIONS

- | | | | | |
|---------------------------------------|-----------------------------------|------------------------------------|------------------------------------|--------------------------------|
| Black nickel - D24 | Copper antique matt, coated - H07 | Light coated bronze - D01 | Matt gold color PVD - H53 | Nickel polished - B01 |
| Blush PVD - H62 | Gold color PVD - H52 | Matt Umber PVD - H67 | Matt graphite PVD - H65 | Rose Gold - F27 |
| Brass color PVD - H49 | Gold mat - F07 | Matt blush PVD - H60 | Matt nickel (American satin) - C01 | Satin chrome - C03 |
| Brown bronze color PVD - F33 | Gold polished - F01 | Matt brass color PVD - H50 | Matt nickel color PVD - H56 | Silver polished, antique - H03 |
| Chrome polished - A02 | Gold satiney - F03 | Matt brown bronze color PVD - F34 | Nickel antique / Sovereign - H28 | Silver rhodium - F18 |
| Chrome polished / gold polished - G02 | Graphite PVD - H64 | Matt chrome (American satin) - C02 | Nickel color PVD - H55 | Soft gold - F30 |