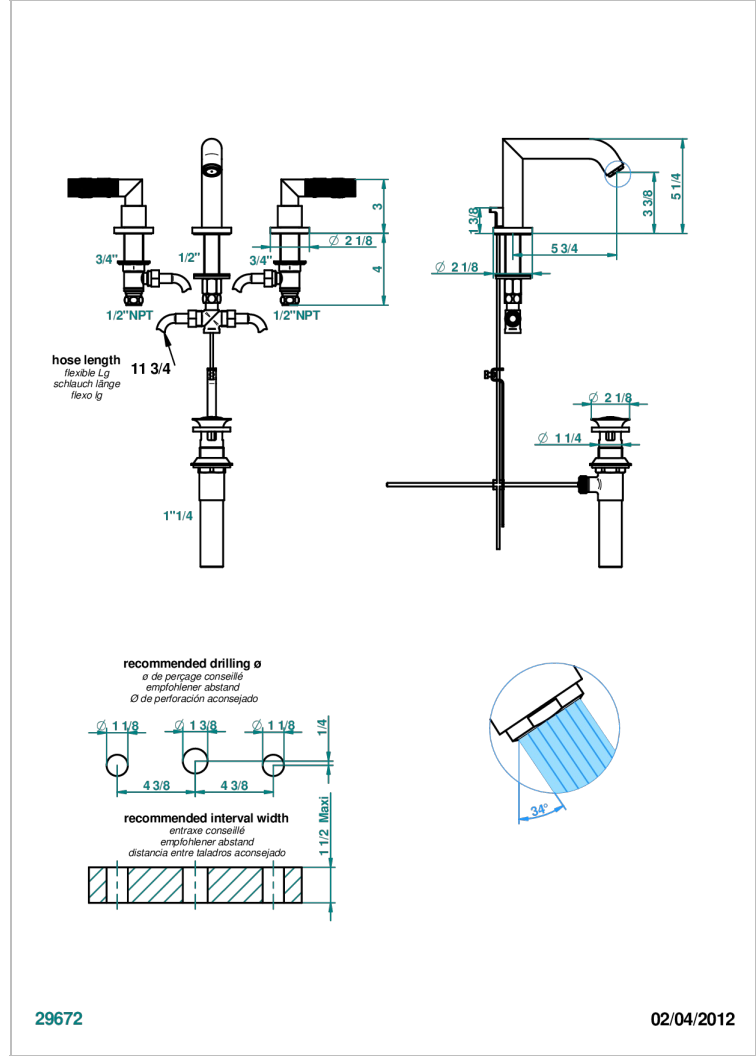


# BAMBOU CLEAR CRYSTAL

A35-151/US

Widespread lavatory set with drain

THG<sup>®</sup>  
PARIS



## CHARACTERISTIC

- ASME : ASME A112.18.1-2011/CSA B125.1-11

## TECHNICAL SPECS

- Recommandé : 3 bars (max. 5 bars) - Advised : 43,5 psi (max. 72 psi)
- 5,7 l/min à 3 bars (1.5 gpm at 43.5 psi)
- 1.2 gpm on demand in accordance with California's rules

## STANDARDS



## AVAILABLE FINITIONS

Black nickel - D24  
Blush PVD - H62  
Brass color PVD - H49  
Brown bronze color PVD - F33  
Chrome polished - A02  
Chrome polished / gold polished - G02

Copper antique matt, coated - H07  
Gold color PVD - H52  
Gold mat - F07  
Gold polished - F01  
Gold satiney - F03  
Graphite PVD - H64

Light coated bronze - D01  
Matt Umber PVD - H67  
Matt blush PVD - H60  
Matt brass color PVD - H50  
Matt brown bronze color PVD - F34  
Matt chrome (American satin) - C02

Matt gold color PVD - H53  
Matt graphite PVD - H65  
Matt nickel (American satin) - C01  
Matt nickel color PVD - H56  
Nickel antique / Sovereign - H28  
Nickel color PVD - H55

Nickel polished - B01  
Rose Gold - F27  
Satin chrome - C03  
Silver polished, antique - H03  
Silver rhodium - F18  
Soft gold - F30