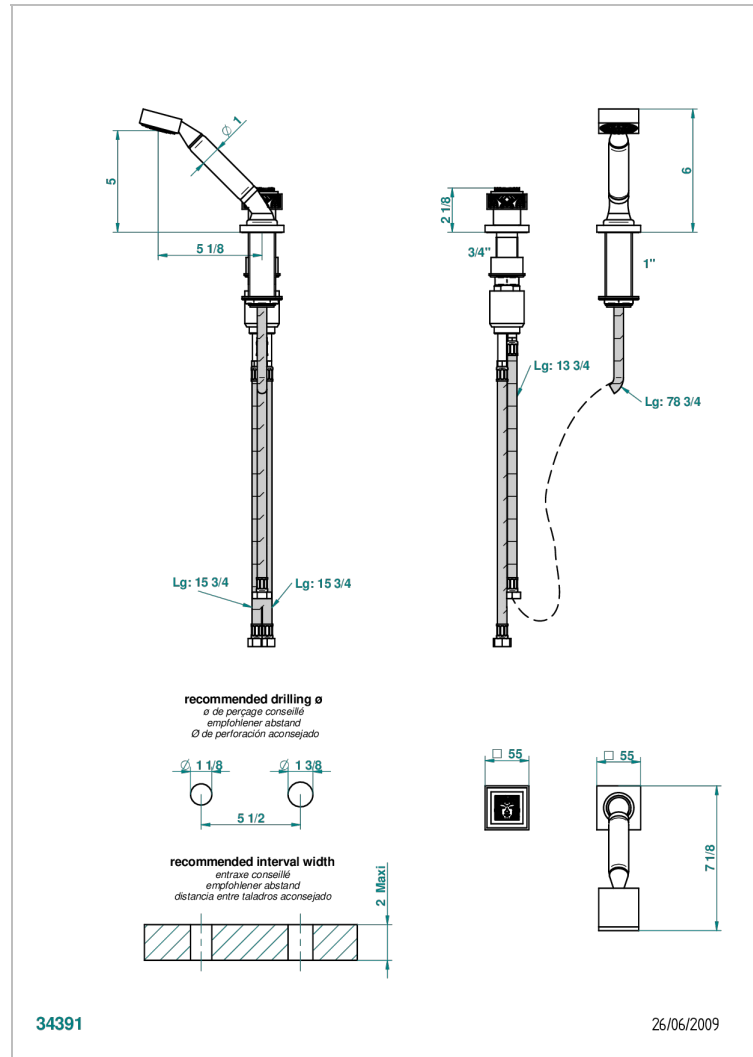


MASQUE DE FEMME LUNAIRE

A2R-6532/60A

Deck mounted mixer with handshower, progressive cartridge



CHARACTERISTIC

- Masque de Femme lunaire
- Deck mounted mixer with handshower, progressive cartridge

TECHNICAL SPECS

- Recommandé : 3 bars (max. 5 bars) - Advised : 43,5 psi (max. 72 psi)
- 9,5 l/min à 3 bars (2.5 gpm at 43.5 psi)

AVAILABLE FINITIONS

Black nickel - D24
 Chrome polished - A02
 Chrome polished / gold polished - G02
 Gold mat - F07
 Gold polished - F01
 Gold satiny - F03

Matt chrome (American satin) - C02
 Matt nickel (American satin) - C01
 Nickel polished - B01
 Rose Gold - F27
 Satin chrome - C03
 Silver rhodium - F18

Soft gold - F30
 Soft matt gold - F31
 Soft satin gold - F32