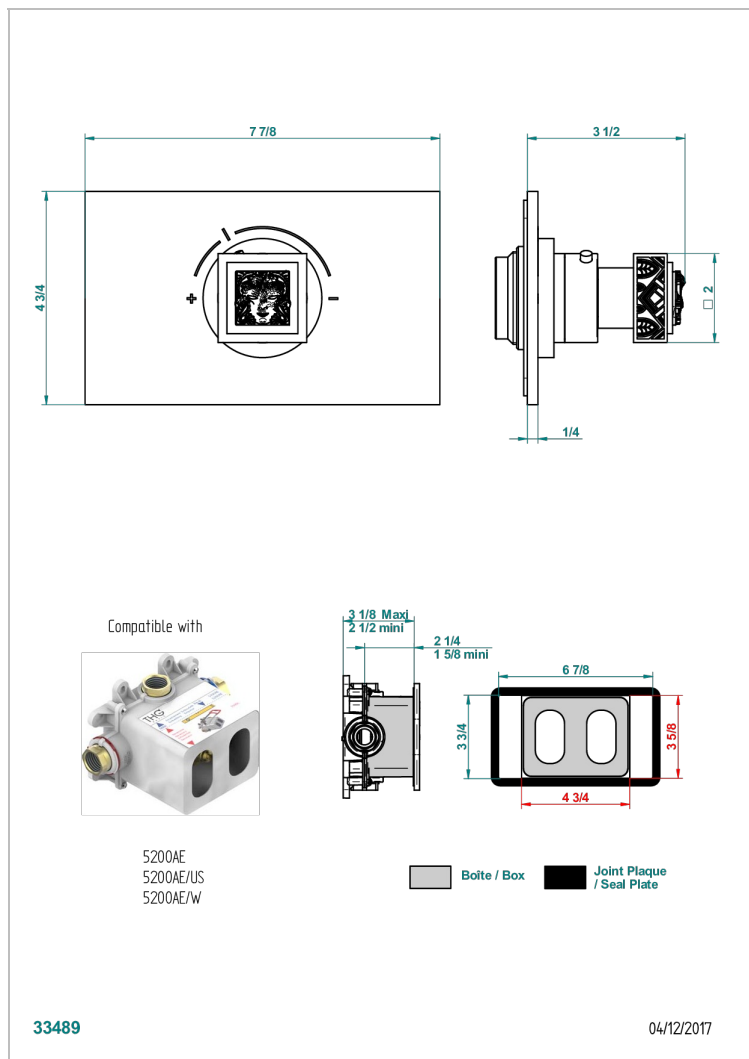
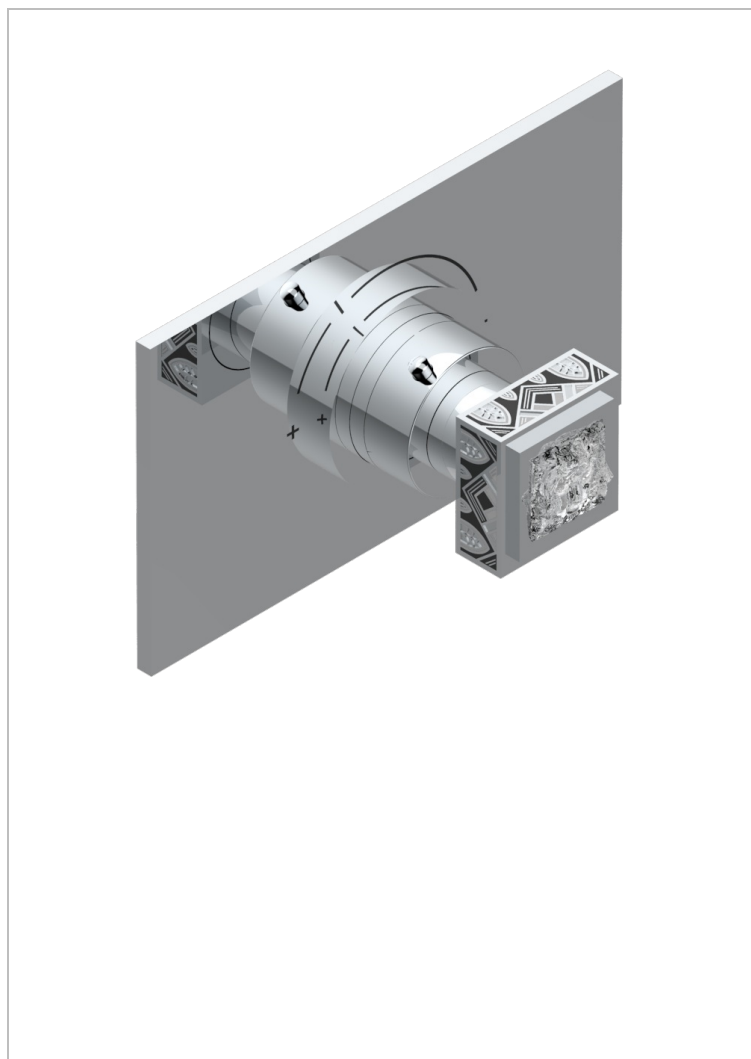


MASQUE DE FEMME LUNAIRE

A2R-5100B

Trim for THG thermostat, rough part supplied with fixing box ref.5 200AE/US



CHARACTERISTIC

- Requires concealed thermostat ref. 5200AE, 5200AE/US and 5200AE/W
- Temperature control knob with security stop at 38°C
- On/off valves (or diverter with stop function) required for each shower function
- Solid brass plate and knob
- ASME : ASME A112.18.1-2011/CSA B125.1-11
- DVGW : DW-6512CQ0608

STANDARDS



RELATED SKU'S

- Ref. G00-5100C Extention kit for thermostatic mixing valve - for installation between 80 mm and 125 mm
- Ref. G00-5100G Reinforced stop ring for THG thermostatic with fixing set
- Ref. G00-5200AE/US 3/4" THG thermostat, 60 l/min with wax cartridge, delivered with a built-in box, no trim

AVAILABLE FINITIONS

Black nickel - D24
 Chrome polished - A02
 Chrome polished / gold polished - G02
 Gold mat - F07
 Gold polished - F01
 Gold satiney - F03

Matt chrome (American satin) - C02
 Matt nickel (American satin) - C01
 Nickel polished - B01
 Rose Gold - F27
 Satin chrome - C03
 Silver rhodium - F18

Soft gold - F30
 Soft matt gold - F31
 Soft satin gold - F32