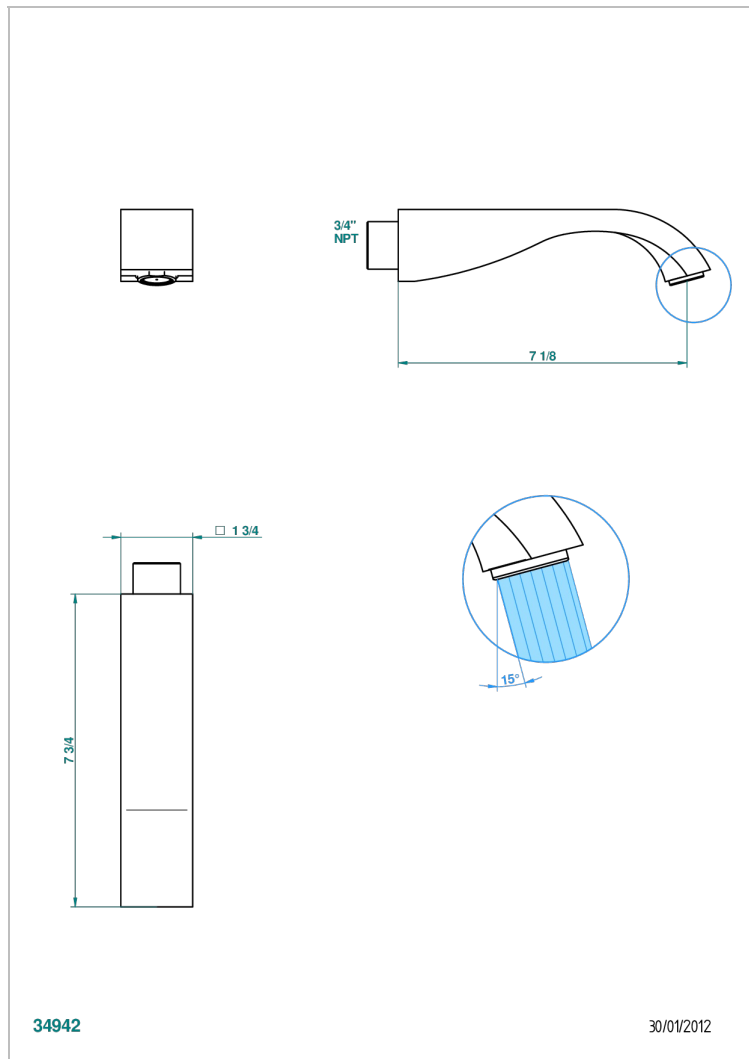


# MASQUE DE FEMME LUNAIRE

A2R-22G/US

Wall mounted tub spout

THG<sup>®</sup>  
PARIS



34942

30/01/2012

## CHARACTERISTIC

- ASME : ASME A112.18.1-2011/CSA B125.1-11

## TECHNICAL SPECS

- Recommandé : 3 bars (max. 5 bars) - Advised : 43,5 psi (max. 72 psi)
- Bec : 35 l/min à 3 bars
- Spout : 9.26 gpm at 43.5 psi

## STANDARDS



C<sup>®</sup>

## AVAILABLE FINITIONS

Black nickel - D24  
Chrome polished - A02  
Chrome polished / gold polished - G02  
Gold mat - F07  
Gold polished - F01  
Gold satiney - F03

Matt chrome (American satin) - C02  
Matt nickel (American satin) - C01  
Nickel polished - B01  
Rose Gold - F27  
Satin chrome - C03  
Silver rhodium - F18

Soft gold - F30  
Soft matt gold - F31  
Soft satin gold - F32