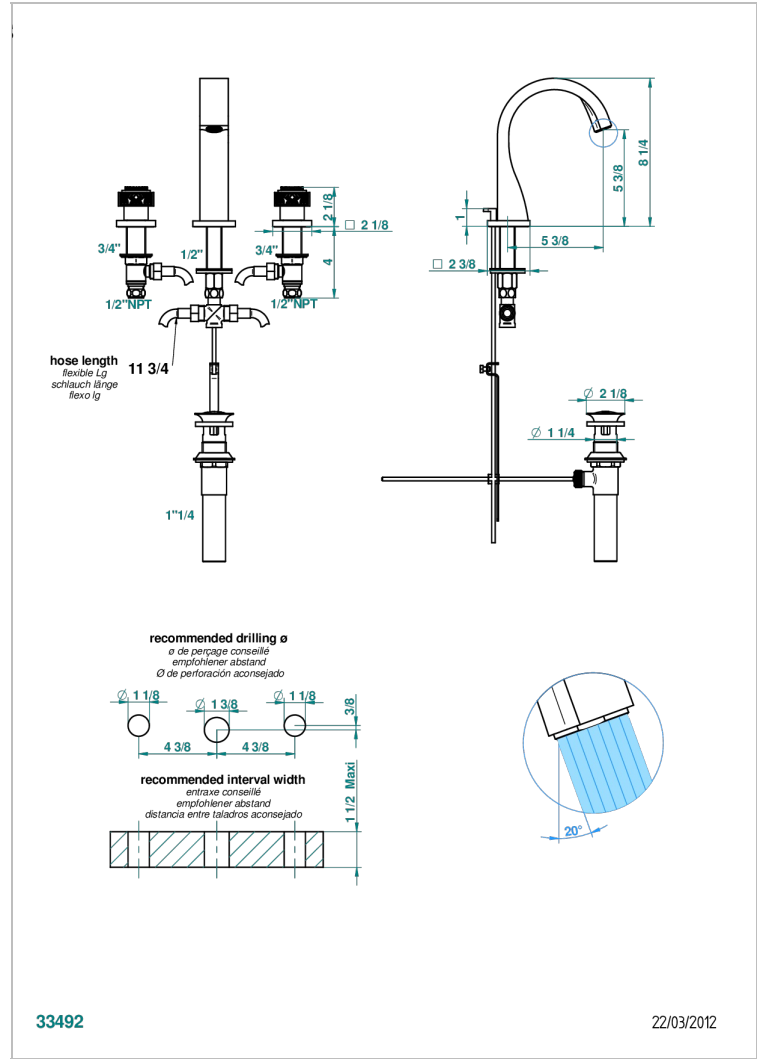
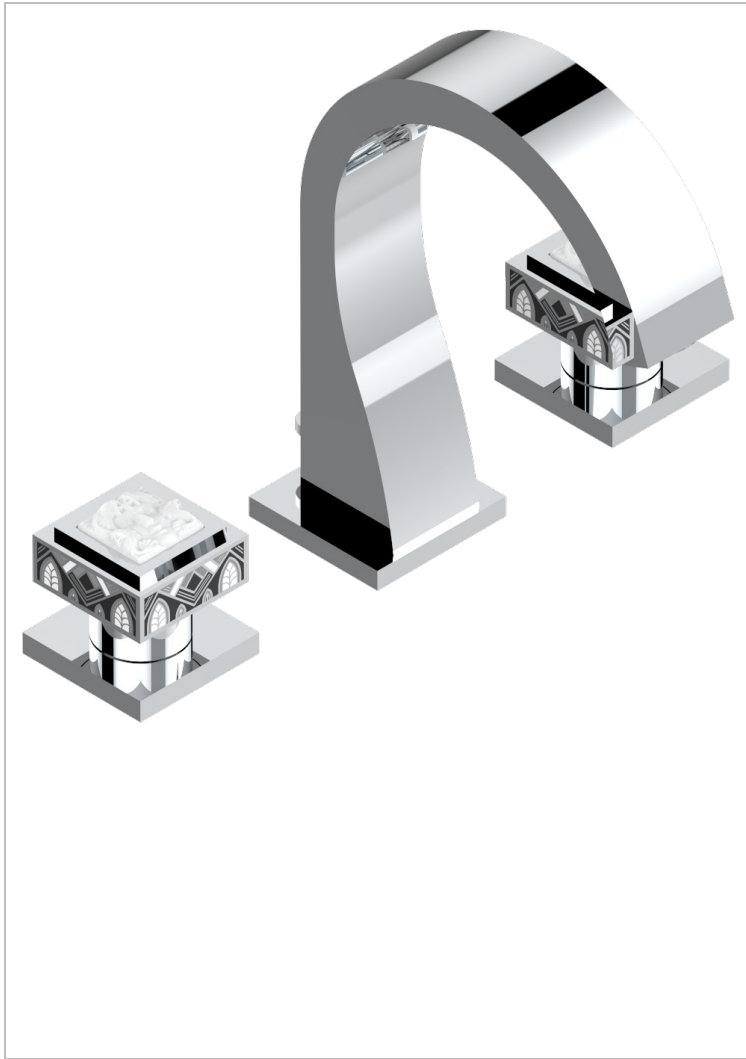


MASQUE DE FEMME LUNAIRE

A2R-151/US

Widespread lavatory set with drain

THG[®]
PARIS



CHARACTERISTIC

- ASME : ASME A112.18.1-2011/CSA B125.1-11

TECHNICAL SPECS

- Recommandé : 3 bars (max. 5 bars) - Advised : 43,5 psi (max. 72 psi)
- 5,7 l/min à 3 bars (1.5 gpm at 43.5 psi)
- 1.2 gpm on demand in accordance with California's rules

STANDARDS



AVAILABLE FINITIONS

Black nickel - D24
 Chrome polished - A02
 Chrome polished / gold polished - G02
 Gold mat - F07
 Gold polished - F01
 Gold satiny - F03

Matt chrome (American satin) - C02
 Matt nickel (American satin) - C01
 Nickel polished - B01
 Rose Gold - F27
 Satin chrome - C03
 Silver rhodium - F18

Soft gold - F30
 Soft matt gold - F31
 Soft satin gold - F32