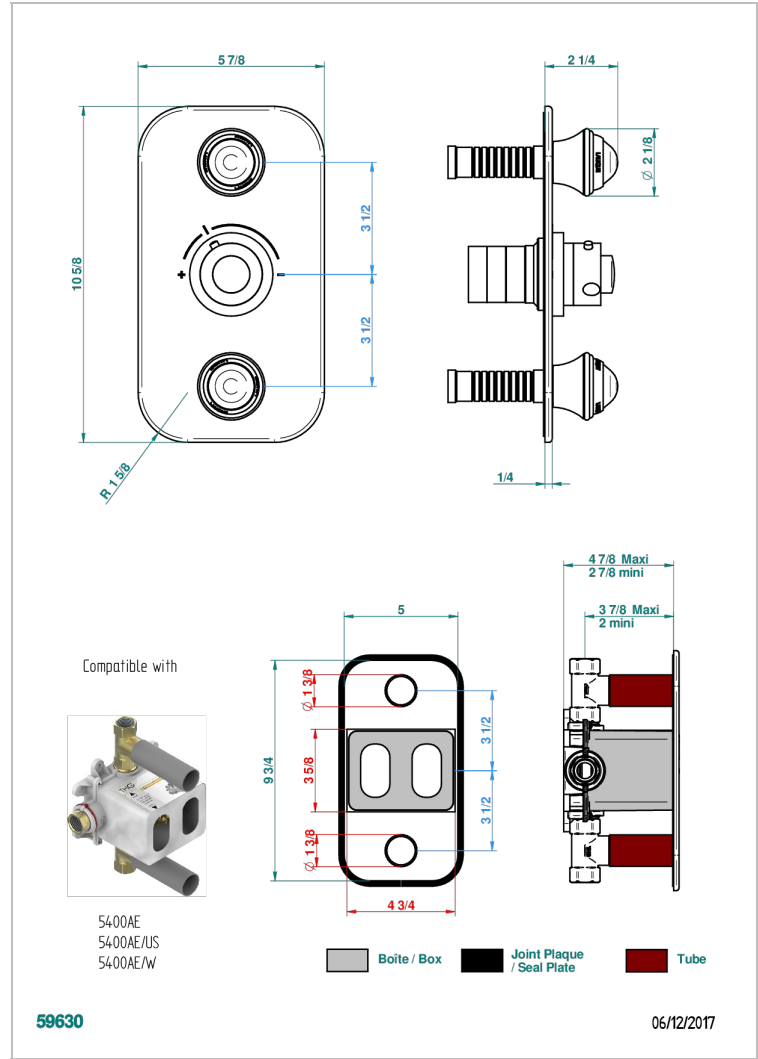
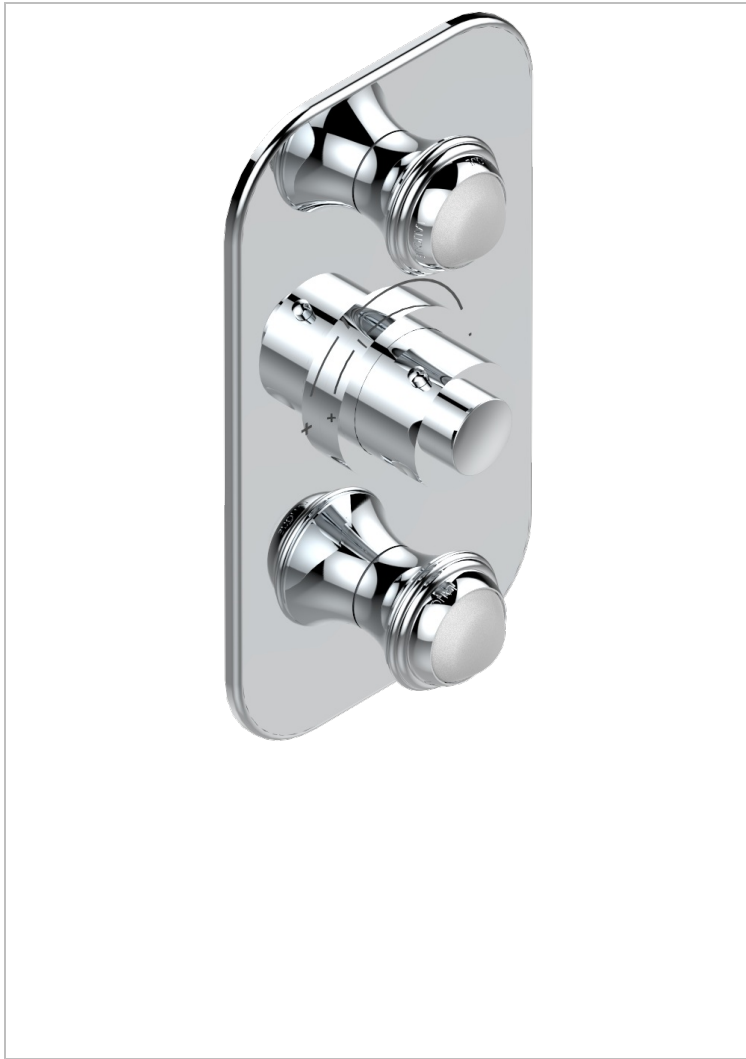


Trim for THG thermostat 2 volume controls, rough part supplied with fixing box ref. 5 400AE/US



CHARACTERISTIC

- Built-in thermostatic cover for 5400AE - 5400AE/W - 5400AE/US with 2 no. 3/4" outputs
- Requires concealed thermostat réf 5400AE - 5400AE/W - 5400AE/US
- For shower 2 simultaneous functions
- Temperature control knob with security stop at 38°C
- Solid brass plate and knob
- ASME : ASME A112.18.1-2011/CSA B125.1-11
- DVGW : DW-6512CQ0608

STANDARDS



RELATED SKU'S

- Ref. G00-5400AE/US 3/4" THG thermostat with wax cartridge, with two valves delivered with a built-in box, no trim
- Ref. G00-5100G Reinforced stop ring for THG thermostatic with fixing set

AVAILABLE FINITIONS

Black nickel - D24	Copper antique matt, coated - H07	Light coated bronze - D01	Matt gold color PVD - H53	Nickel polished - B01
Blush PVD - H62	Gold color PVD - H52	Matt Umber PVD - H67	Matt graphite PVD - H65	Rose Gold - F27
Brass color PVD - H49	Gold mat - F07	Matt blush PVD - H60	Matt nickel (American satin) - C01	Satin chrome - C03
Brown bronze color PVD - F33	Gold polished - F01	Matt brass color PVD - H50	Matt nickel color PVD - H56	Silver polished, antique - H03
Chrome polished - A02	Gold satiney - F03	Matt brown bronze color PVD - F34	Nickel antique / Sovereign - H28	Silver rhodium - F18
Chrome polished / gold polished - G02	Graphite PVD - H64	Matt chrome (American satin) - C02	Nickel color PVD - H55	Soft gold - F30