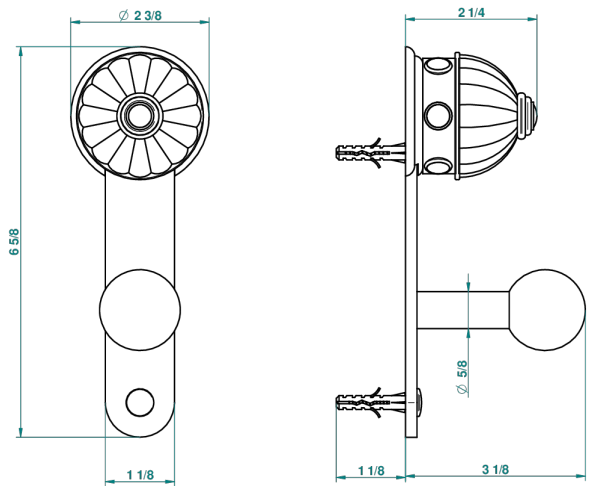


CHEVERNY LAPIS LAZULI

A1T-517

Robe hook

THG[®]
PARIS



recommended drilling ø
ø de perçage conseillé
empfohlener abstand
Ø de perforación aconsejado



38257

28/05/2010

CHARACTERISTIC

- Cheverny Lapis Lazuli
- Robe hook

AVAILABLE FINITIONS

Black nickel - D24
Blush PVD - H62
Brass color PVD - H49
Brown bronze color PVD - F33
Chrome polished - A02
Chrome polished / gold polished - G02

Gold color PVD - H52
Gold mat - F07
Gold polished - F01
Gold satiney - F03
Graphite PVD - H64
Matt Umber PVD - H67

Matt blush PVD - H60
Matt brass color PVD - H50
Matt brown bronze color PVD - F34
Matt chrome (American satin) - C02
Matt gold color PVD - H53
Matt graphite PVD - H65

Matt nickel (American satin) - C01
Matt nickel color PVD - H56
Nickel antique / Sovereign - H28
Nickel color PVD - H55
Nickel polished - B01
Rose Gold - F27

Satin chrome - C03
Silver rhodium - F18
Soft gold - F30
Soft matt gold - F31
Soft satin gold - F32
Umber PVD - H66