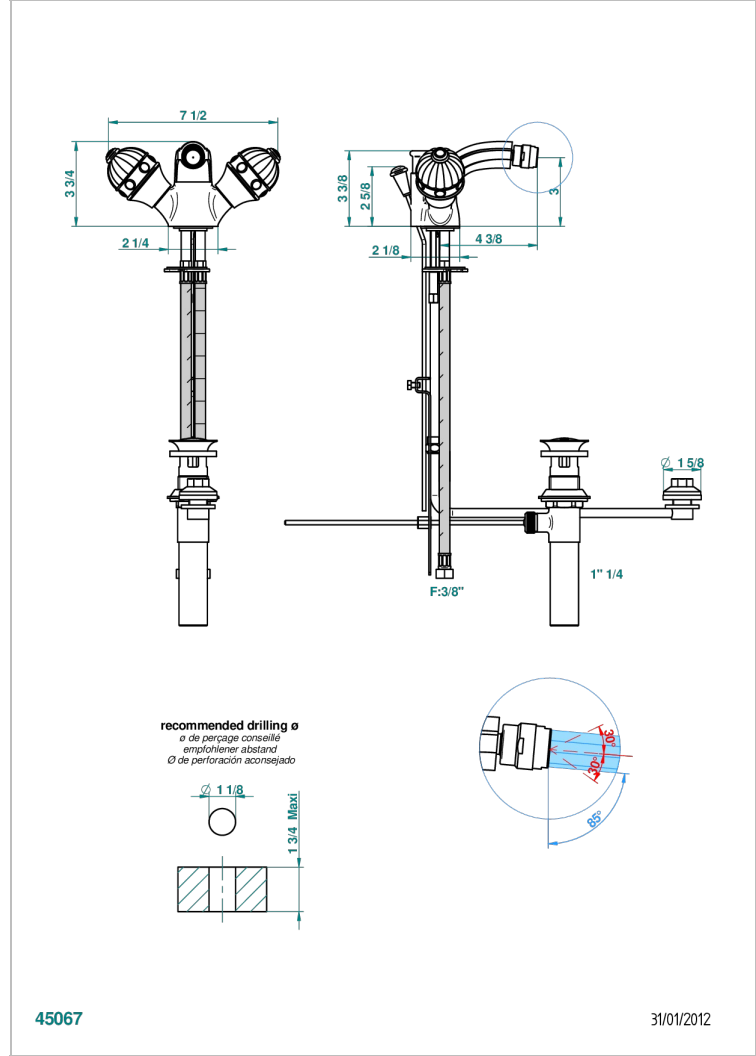


# CHEVERNY MALACHITE

A1S-3205/2US

Single hole bidet faucet, integral diverter for vertical spray with drain



## CHARACTERISTIC

- Cheverny Malachite
- Single hole bidet faucet, integral diverter for vertical spray with drain

## TECHNICAL SPECS

- Recommandé : 3 bars (max. 5 bars) - Advised : 43,5 psi (max. 72 psi)
- 5,7 l/min à 3 bars (1.5 gpm at 43.5 psi)
- 1.2 gpm on demand in accordance with California's rules

## AVAILABLE FINITIONS

Black nickel - D24  
 Blush PVD - H62  
 Brass color PVD - H49  
 Brown bronze color PVD - F33  
 Chrome polished - A02  
 Chrome polished / gold polished - G02

Gold color PVD - H52  
 Gold mat - F07  
 Gold polished - F01  
 Gold satiney - F03  
 Graphite PVD - H64  
 Matt Umber PVD - H67

Matt blush PVD - H60  
 Matt brass color PVD - H50  
 Matt brown bronze color PVD - F34  
 Matt chrome (American satin) - C02  
 Matt gold color PVD - H53  
 Matt graphite PVD - H65

Matt nickel (American satin) - C01  
 Matt nickel color PVD - H56  
 Nickel antique / Sovereign - H28  
 Nickel color PVD - H55  
 Nickel polished - B01  
 Rose Gold - F27

Satin chrome - C03  
 Silver rhodium - F18  
 Soft gold - F30  
 Soft matt gold - F31  
 Soft satin gold - F32  
 Umber PVD - H66