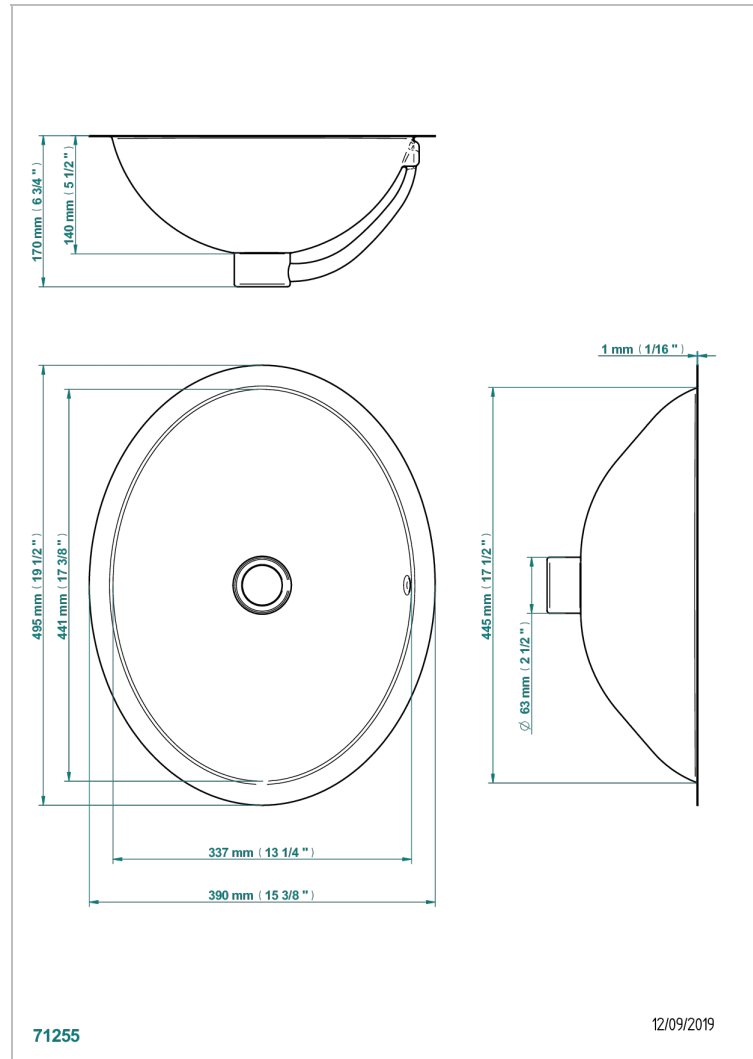


METAL BASIN

GB2-2/BP

Oval basin, 19 1/2" x 15 3/8", with overflow and flat edge, to fix under, hammered metal finishing



CHARACTERISTIC

- Metal Basin
- Oval basin, 19 1/2" x 15 3/8", with overflow and flat edge, to fix under, hammered metal finishing

AVAILABLE FINITIONS

Chrome polished - A02
Gold polished - F01
Matt nickel (American satin) - C01
Natural brass, uncoated (metal basin) - O05
Natural red copper, uncoated (metal basin) - O04
Nickel polished - B01

Soft gold - F30