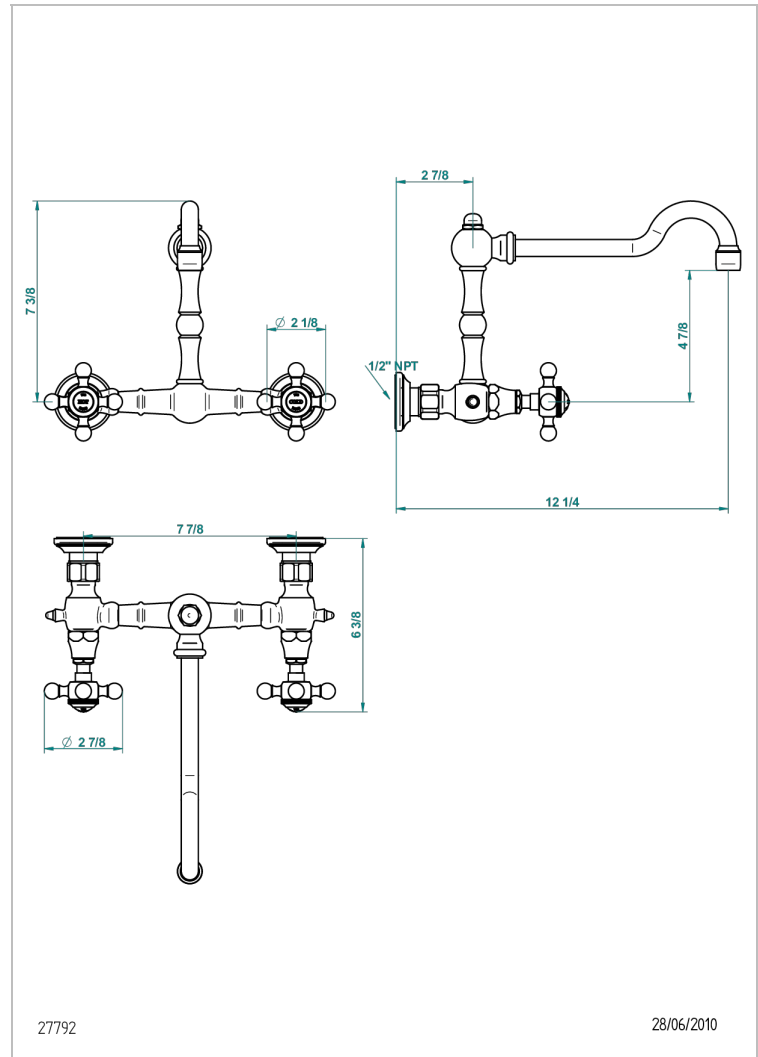


1900 KITCHEN

G76-4427/US

Wall kitchen faucet spread 7 7/8"

THG[®]
PARIS



CHARACTERISTIC

- 1900 Kitchen
- Wall kitchen faucet spread 7 7/8"

TECHNICAL SPECS

- Recommandé : 3 bars (max. 5 bars) - Advised : 43,5 psi (max. 72 psi)
- 8,2 l/min à 3 bars (2.2 gpm at 43.5 psi)

AVAILABLE FINITIONS

Chrome polished - A02
Light coated bronze - D01
Matt nickel (American satin) - C01
Nickel polished - B01