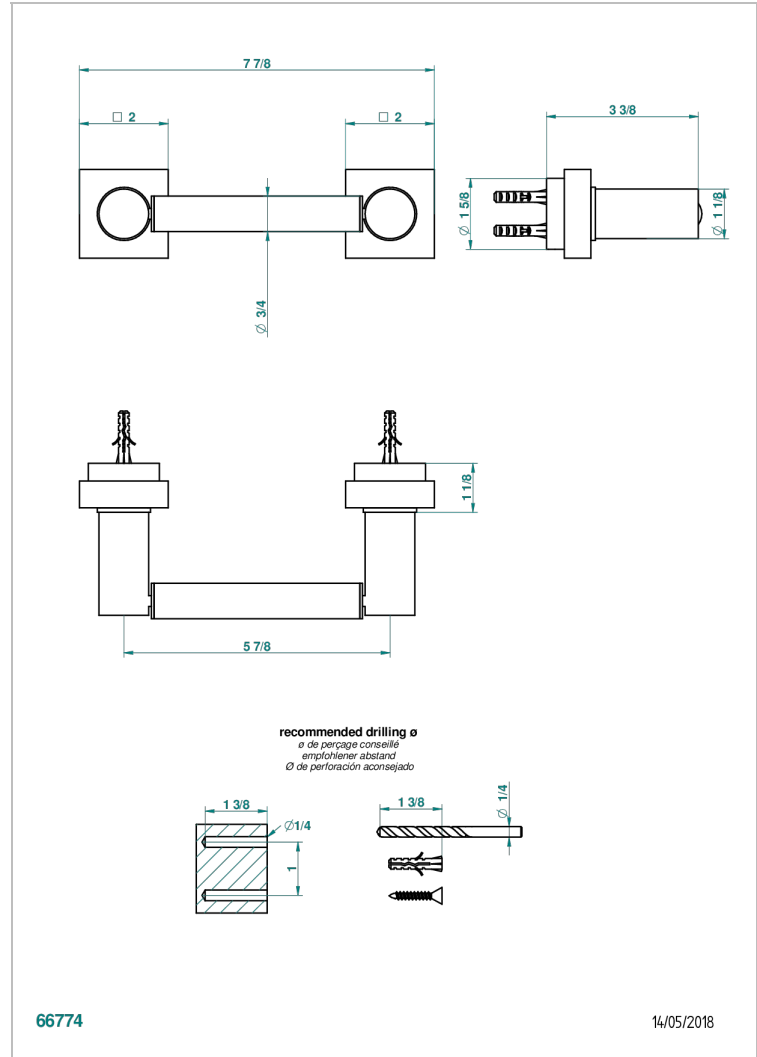


MONTAIGNE WITH LEVER HANDLES, GRAND ANTIQUE MARBLE

G3S-543M

Paper roll holder



CHARACTERISTIC

- Montaigne with lever handles, Grand Antique marble
- Paper roll holder

AVAILABLE FINITIONS

Blush PVD - H62
 Brass color PVD - H49
 Brown bronze color PVD - F33
 Chrome polished - A02
 Chrome polished / gold polished - G02
 Copper antique matt, coated - H07

Gold color PVD - H52
 Gold mat - F07
 Gold polished - F01
 Graphite PVD - H64
 Light coated bronze - D01
 Matt Umber PVD - H67

Matt blush PVD - H60
 Matt brass color PVD - H50
 Matt brown bronze color PVD - F34
 Matt chrome (American satin) - C02
 Matt gold color PVD - H53
 Matt graphite PVD - H65

Matt nickel (American satin) - C01
 Matt nickel color PVD - H56
 Nickel antique / Sovereign - H28
 Nickel color PVD - H55
 Nickel polished - B01
 Silver polished, antique - H03

Soft gold - F30
 Soft matt gold - F31
 Umber PVD - H66